

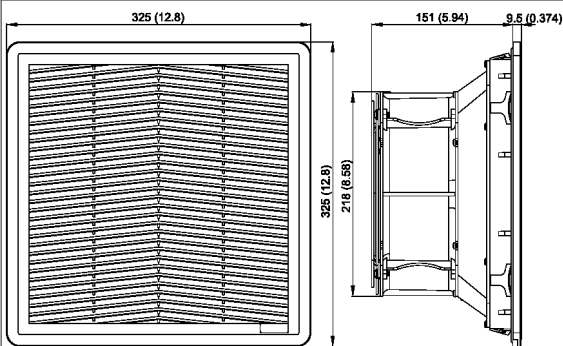
"FF20AE1" SERIES FAN FILTERS TYPE 3R

Description: Fan Filters 115/230 Va.c.

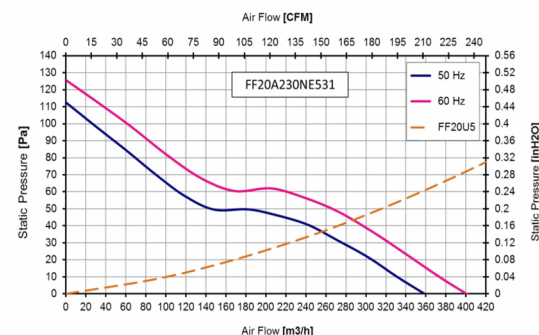
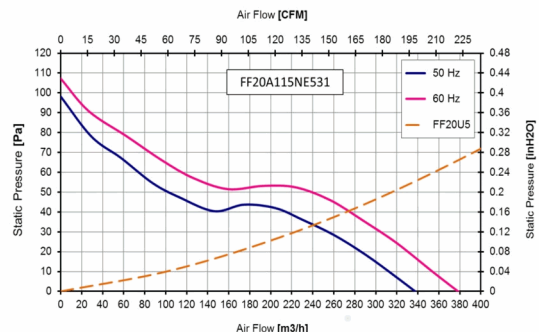
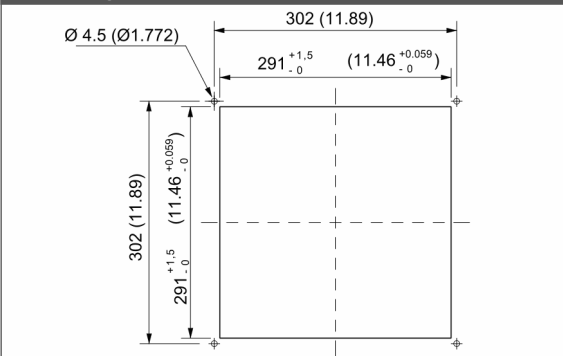


- Type of material:** PBT glass reinforced suitable for outdoor use with respect to UV light and water exposure; PA 66 IGF13 HSL glass fiber reinforced for elastics clips
- Standard color:** RAL 9005
- Protection degree:** IP55, according to EN 60529 Std
Type 3R, according to UL 508 Std
- Fixing system:** by elastic clips
- Plate thickness:** from 1.3 to 3.7 mm (from 0.051 to 0.146 in), up to 4 mm (0.157 in) with cut-out max tolerance
- Storage temperature:** from -30°C to +70°C (from -40°F to 158°F)
- Motor Lifetime L10 at 25°C:** 63,000 h
- Working class of capacitor:** class A
- Motor protection:** thermal
- Electrical connection:** by screwless terminal block 3 poles L-N-PE, 2.5 mm² (20 - 14 AWG)
- Appliance class:** class I
- Type of filter media:** thermo-linked progressive structure synthetic fibre
- Filtering class:** G4, according to EN 779
- Degree of separation:** 94% - DIN 24185
- Dust retention capacity:** 600 g/m²
- Note:** filter media is washable about 10 times
- Weight:** 3.6 kg (7.94 lb)
- Approvals:** CE; UL E237844

technical drawing



mounting cut-out



Model	Voltage	Frequency	Rated Current	Rated Power	Max Air Flow**	Static Pressure	Fan Noise	Rated Temp. Range	Approvals
	(V)	(Hz)	(A)	(W)	(m ³ /h)	(Pa)	[db(A)]	(°C)	
FF20A115NE531	115 V a.c.	50/60	0.68/0.73	74/83	338/378	98/107	58.0/60.0	-10 + +55	CE; cURus
FF20A230NE531	230 V a.c.	50/60	0.31/0.35	70/85	360/400	112/126	58.0/60.0	-10 + +55	CE; cURus

data with uncertainty of 15%

All specifications, data and drawing are subject to change without notice. Please refer to our terms of sales including our warranty and limited liabilities clauses.