

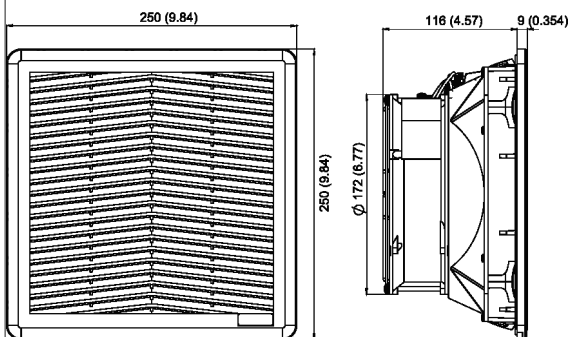
"FF15AF" SERIES FAN FILTERS TYPE 3R

Description: **Fan Filter 115/230 Va.c.**

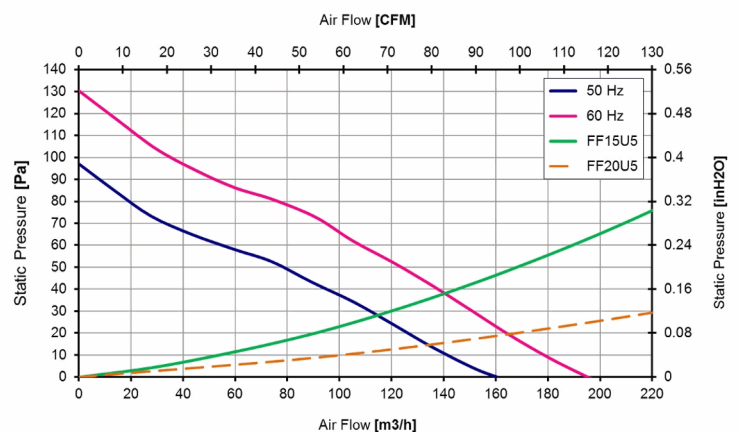
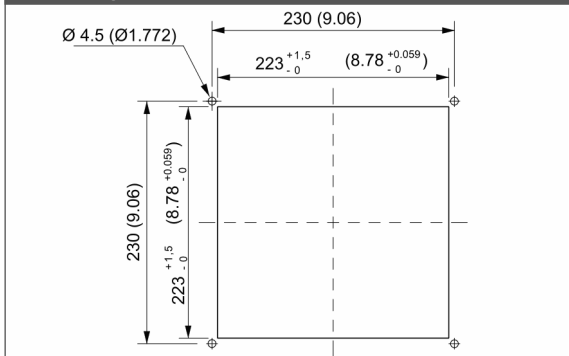


Type of material:	PBT glass reinforced suitable for outdoor use with respect to UV light and water exposure; PA 66 IGF13 HSL glass fiber reinforced for elastics clips
Standard color:	RAL 9005
Protection degree:	IP55, according to EN 60529 Std Type 3R, according to UL 508 Std
Fixing system:	by elastic clips
Plate thickness:	from 1.3 to 3.7 mm (from 0.051 to 0.146 in), up to 4 mm (0.157 in) with cut-out max tolerance
Storage temperature:	from -40°C to +70°C (from -40°F to 158°F)
Motor Lifetime L10 at 40°C:	40,000 h
Motor protection:	thermal
Electrical connection:	by screwless terminal block 3 poles L-N-PE, 2.5 mm ² (20-14 AWG)
Earth connection:	by PE pole
Appliance class:	class I
Type of filter media:	thermo-linked progressive structure synthetic fibre
Filtering class:	class G4, according to EN 779
Degree of separation:	94% - DIN 24185
Dust retention capacity:	600 g/m ²
Note:	filter media is washable about 10 times
Weight:	2.1 Kg (4.63 lb)
Approvals:	CE; UL E237844

technical drawing



mounting cut-out



Model	Voltage	Frequency	Rated Current	Rated Power	Max Air Flow**	Static Pressure	Fan Noise	Rated Temp. Range	Approvals
	(V)	(Hz)	(A)	(W)	(m3/h)	(Pa)	[db(A)]	(°C)	
FF15A115NF53	115 V a.c.	50/60	0.280/0.260	31/31	160/195	97/130	50.0/55.0	-10 + +55	CE; cURus
FF15A230NF53	230 V a.c.	50/60	0.140/0.160	32/36	160/195	97/130	50.0/55.0	-10 + +55	CE; cURus

data with uncertainty of 15%

All specifications, data and drawing are subject to change without notice. Please refer to our terms of sales including our warranty and limited liabilities clauses.