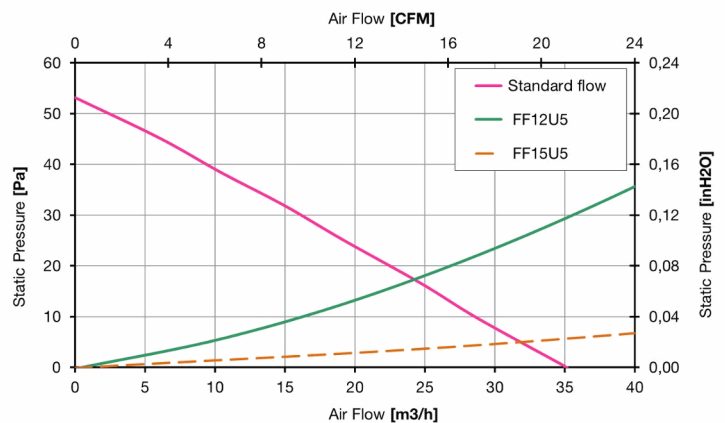
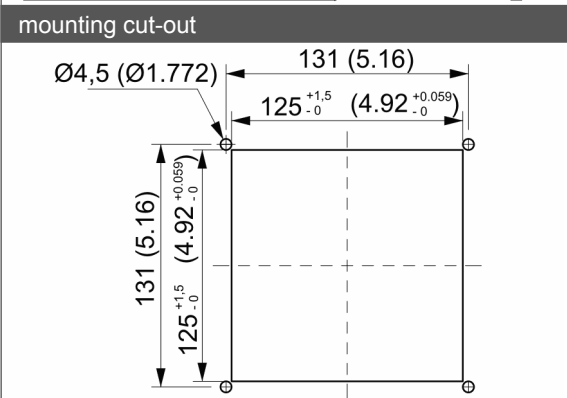
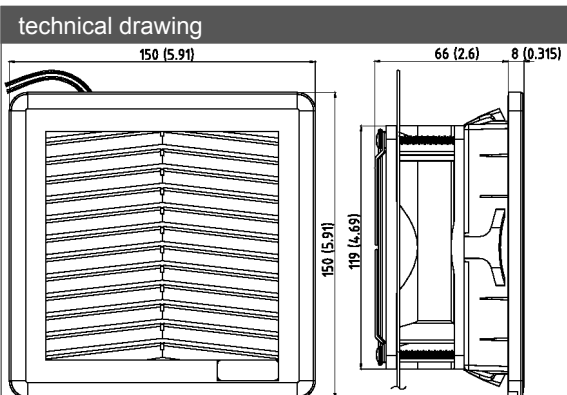


"FF12DN" SERIES FAN FILTERS TYPE 3R

Description: **Fan Filter 24/48 Vd.c.**



- Type of material:** PBT glass reinforced suitable for outdoor use with respect to UV light and water exposure; PA 66 IGF13 HSL glass fiber reinforced for elastics clips
- Standard color:** RAL 9005
- Protection degree:** IP55, according to EN 60529 Std
Type 3R, according to UL 508 Std
- Fixing system:** by elastic clips
- Plate thickness:** from 1.3 to 3.2 mm (from 0.051 to 0.126 in)
- Storage temperature:** from -40°C to +70°C (from -40°F to 158°F)
- Lifetime L10 at 25°C:** 100,000 h
- Motor protection:** auto restart and polarity protection
- Electrical connection:** 2 wires +(red), -(black), 24 AWG UL1007, 300 mm long (11.81 in)
- Appliance class:** class III
- Type of filter media:** thermo-linked progressive structure synthetic fibre
- Filtering class:** class G4, according to EN 779
- Degree of separation:** 94% - DIN 24185
- Dust retention capacity:** 600 g/m²
- Note:** filter media is washable about 10 times
- Weight:** 0.5 Kg (1.10 lb)
- Approvals:** CE; UL E237844



Model	Voltage (V)	Frequency (Hz)	Rated Current (A)	Rated Power (W)	Max Air Flow** (m3/h)	Static Pressure (Pa)	Fan Noise [db(A)]	Rated Temp. Range (°C)	Approvals
FF12D24NN53	24 V d.c.	-	0.310	7.4	35	53	42.5	-10 + +55	CE; UR
FF12D48NN53	48 V d.c.	-	0.18	8.6	35	53	42.5	-10 + +55	CE; UR

data with uncertainty of 15%

All specifications, data and drawing are subject to change without notice. Please refer to our terms of sales including our warranty and limited liabilities clauses.