

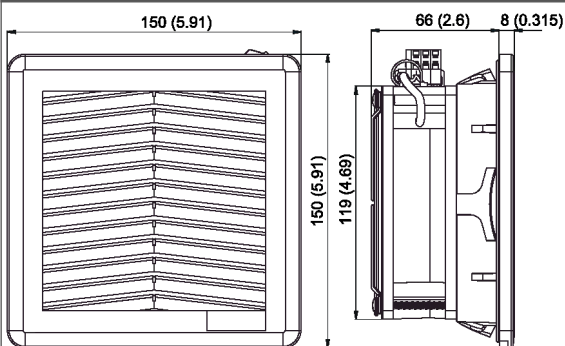
**"FF12AN" SERIES FAN FILTERS TYPE 3R**

Description: **Fan Filter 115/230 Va.c.**

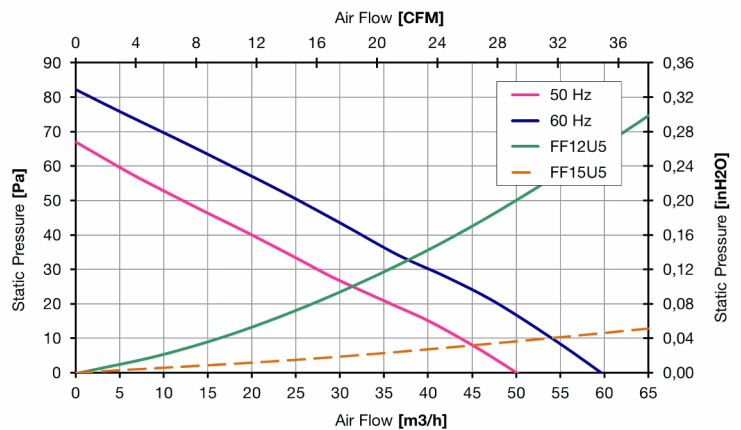
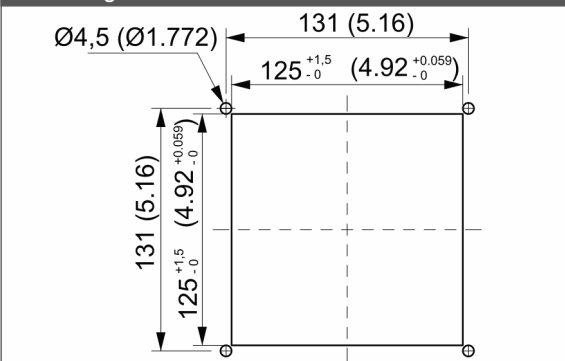


- Type of material:** PBT glass reinforced suitable for outdoor use with respect to UV light and water exposure; PA 66 IGF13 HSL glass fiber reinforced for elastics clips
- Standard color:** RAL 9005
- Protection degree:** IP55, according to 60529 Std  
Type 3R, according to UL 508 Std
- Fixing system:** by elastic clips
- Plate thickness:** from 1.3 to 3.2 mm (from 0.051 to 0.126 in)
- Storage temperature:** from -40°C to +70°C (from -40°F to 158°F)
- Motor Lifetime L10 at 25°C:** 100,000 h
- Motor protection:** thermal
- Electrical connection:** by screwless terminal block 3 poles L-N-PE, 0.08 - 2.5 mm<sup>2</sup> (28 - 14 AWG)
- Earth connection:** by PE pole
- Appliance class:** class I
- Type of filter media:** thermo-linked progressive structure synthetic fibre
- Filtering class:** class G4, according to EN 779
- Degree of separation:** 94% - DIN 24185
- Dust retention capacity:** 600 g/m<sup>2</sup>
- Note:** filter media is washable for about 10 times
- Weight:** 0.95 Kg (2.09 lb)
- Approvals:** CE; UL E237844

**technical drawing**



**mounting cut-out**



Model	Voltage (V)	Frequency (Hz)	Rated Current (A)	Rated Power (W)	Max Air Flow** (m <sup>3</sup> /h)	Static Pressure (Pa)	Fan Noise [db(A)]	Rated Temp. Range (°C)	Approvals
FF12A115NN53	115 V a.c.	50/60	0.260/0.220	19/17	50/59	67/82	40.0/44.0	-10 + +55	CE; cURus
FF12A230NN53	230 V a.c.	50/60	0.130/0.100	18/16	50/59	67/82	40.0/44.0	-10 + +55	CE; cURus

data with uncertainty of 15%

All specifications, data and drawing are subject to change without notice. Please refer to our terms of sales including our warranty and limited liabilities clauses.