

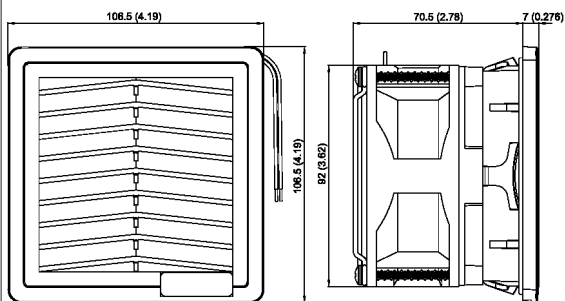
"FF08GDN" SERIES FAN FILTERS TYPE 3R

Description: Fan Filter 24 Vd.c.

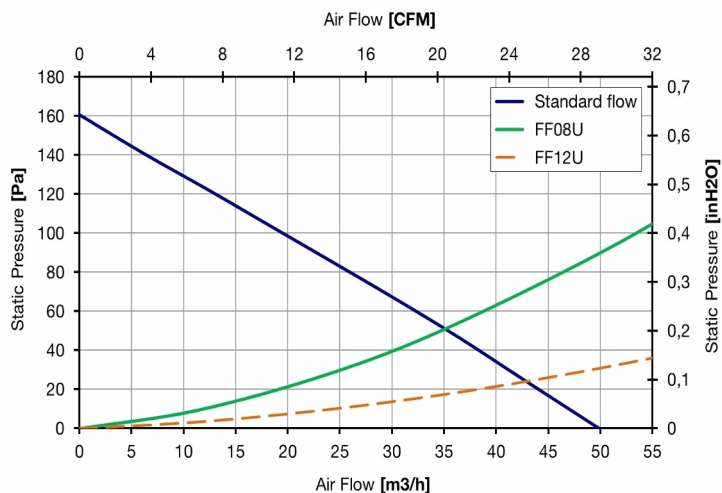
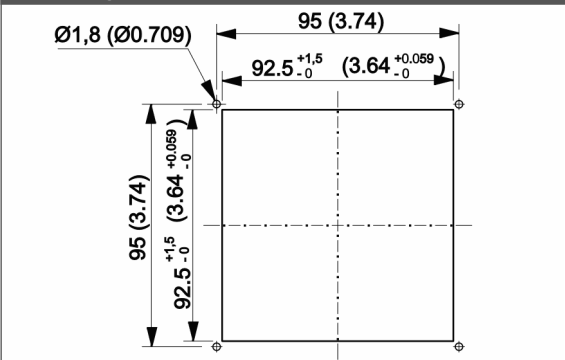


- Type of material:** PTB fiberglass reinforced suitable for outdoor use with respect to UV light and water exposure; PA 66 IGF13 HSL glass fiber reinforced for elastic clips
- Standard color:** RAL 9005
- Protection degree:** IP44, according to EN 60529 Std
Type 3R, according to UL 508 Std
- Fixing system:** by elastic clips
- Plate thickness:** from 1.0 to 2.0 mm (from 0.059 to 0.087 in)
- Storage temperature:** from -40°C to +70°C (from -40°F to 158°F)
- Motor Lifetime L10 at 25°C:** 100,000 h
- Motor protection:** auto restart and polarity protection
- Electrical connection:** 2 wires +(red), -(black), 26 AWG UL3385, 300 mm long (11.81 in)
- Appliance class:** class III
- Type of filter media:** thermo-linked progressive structure synthetic fibre
- Filtering class:** class G3, according to EN 779
- Degree of separation:** 85% - DIN 24185
- Dust retention capacity:** 600 g/m²
- Note:** filter media is washable about 10 times
- Weight:** 0.40 Kg (0.88 lb)
- Approvals:** CE; UL E237844

technical drawing



mounting cut-out



Model	Voltage	Frequency	Rated Current	Rated Power	Max Air Flow**	Static Pressure	Fan Noise	Rated Temp. Range	Approvals
	(V)	(Hz)	(A)	(W)	(m3/h)	(Pa)	[db(A)]	(°C)	
FF08GD24NN3	24 V d.c.	-	0.610	15	50	160	59.0	-10 ÷ +55	CE; cURus

data with uncertainty of 15%

All specifications, data and drawing are subject to change without notice. Please refer to our terms of sales including our warranty and limited liabilities clauses.