

## SAFETY AND PROPER USAGE

To ensure safe and enduring performance of this product, you must comply strictly with the instructions enclosed herein. Non-compliance with instructions or improper handling of the product will void your warranty! Usage of this product in conditions not specified in this manual or in contrary to the instructions hereby provided is considered IMPROPER. The manufacturer will not be held liable for any damages resulting from improper use of the product.

### SAFETY & WARNING INSTRUCTIONS

- Observe valid and generally accepted safety rules when planning, installing and using this product.
- Take proper measures to prevent unintentional operation of the product or damage to it.
- Do not attempt to disassemble this product or lines in the system while they are under pressure.
- Always depressurize the compressed air system before working on the system.

It is important that personnel use safe working practices and observe all regulations and legal requirements for safety when operating this product. When handling, operating or carrying out maintenance on this product, personnel must employ safe engineering practices and observe all local health & safety requirements & regulations. International users refer to regulations that prevail within the country of installation. Most accidents, which occur during the operation and maintenance of machinery, are the result of failure to observe basic safety rules or precautions. An accident can often be avoided by recognizing a situation that is potentially dangerous. Improper operation or maintenance of this product could be dangerous and result in an accident causing injury or death. The manufacturer cannot anticipate every possible circumstance, which may represent a potential hazard. The WARNINGS in this manual cover the most common potential hazards and are therefore not all-inclusive. If the user employs an operating procedure, an item of equipment or a method of working which is not specifically recommended by the manufacturer he must ensure that the product will not be damaged or made unsafe and that there is no risk to persons or property.

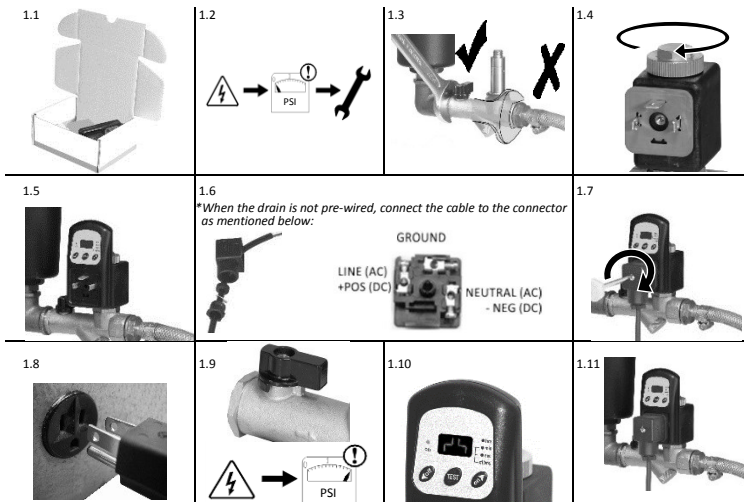
### NEVER CHANGE ORIGINAL COMPONENTS WITH ALTERNATIVES

**⚠ WARNING** This product can expose you to chemicals including lead, which is known to the State of California to cause cancer and/or birth defects or other reproductive harm. For more information, go to [www.P65Warnings.ca.gov](http://www.P65Warnings.ca.gov)



# 5523

## Series Drain



## INSTALLATION INSTRUCTIONS

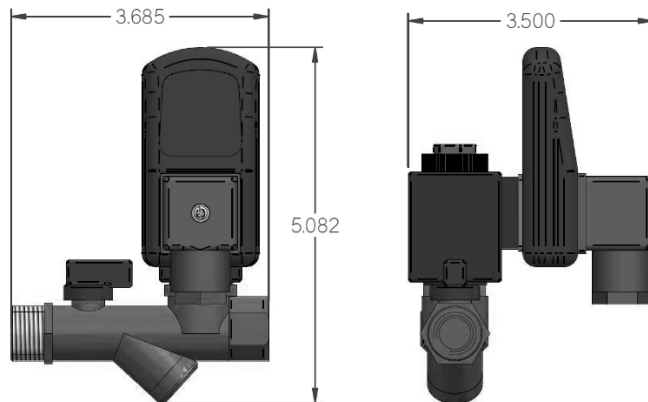
Before installing this product, make sure it complies with your request and that it suits your application!

- 1.1 Unpack the unit and visually inspect for any transport damage incurred after leaving our factory.
- 1.2 Depressurize the system before installation or maintenance is carried out!
- 1.3 Locate a suitable condensate draining point on your compressed air system and connect your valve. Connect the outlet to an oil/water separator.
  - Make sure the arrow on the valve body complies with the flow direction of the condensate.
  - Do not use the valve shaft as lever!
  - Removing the coil/timer/connector assembly from the valve, enables an easier installation of the valve.
- 1.4 Slide the coil on to the valve shaft and screw on the top nut. Make sure the gaskets are placed properly to ensure IP65 (NEMA4) rating. Place the gasket over the coil connection pins.
  - Make sure there is no debris between the gasket and the coil. If the drain was pre-wired, go to step 1.8.
- 1.5 Mount the timer on to the coil as illustrated, you can mount the timer up-right or upside-down.
- 1.6 When the drain is not pre-wired: Remove the protection cap from the connector and connect your power cable to the connector as illustrated. Close the connector and tighten the nut firmly.
- 1.7 Place the gasket on the timer, place the connector on the timer as illustrated and tighten the screw (max. torque 1Nm). Make sure both gaskets are secured properly to ensure IP65 (NEMA4) rating.
- 1.8 After double checking that the power supply corresponds with the voltage specified on the coil and falls within the range specified on the back of the timer, you can switch the power supply ON.
- 1.9 Slowly open the ball valve to restore normal system pressure.
- 1.10 Press the TEST button to check the valve function. Adjust the ON and OFF buttons to suit your system (see instructions on the back side of this manual!).
- 1.11 Your drain is ready for operation!

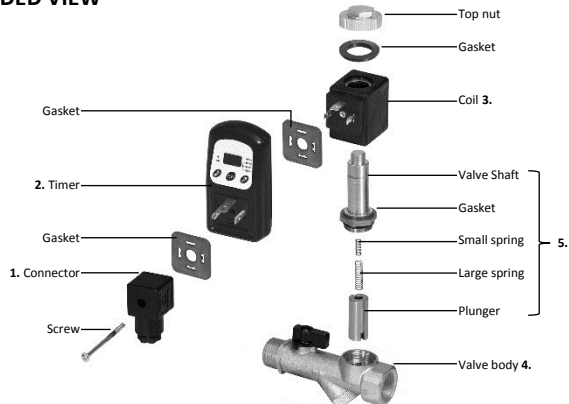
## TECHNICAL SPECIFICATIONS

Maximum compressor capacity	Any size	
Pressure range	0 – 16 bar	0 – 230 psi
Supply voltage options	24 – 240 VAC/DC 50/60Hz (see specifications on timer and coil)	
Medium temperature	1 – 55 °C	34 – 131 °F
Ambient temperature	1 – 55 °C	34 – 131 °F
Timer cycle range (ON / OFF)	0,01 second to 99 hours (both ON and OFF)	
Timer PCB	SMD technology	
Timer cycle indication	LED	
Test feature	Yes	
Valve type	2/2 way, direct acting	
Valve orifice	4 mm	0,157"
Valve seals	FPM	
Inlet/Outlet connections	1/4" (F) & 1/2" (M) NPT / 1/2" NPT	
Inlet connection height	1 cm	0,4"
Serviceable valve	Yes	
Valve housing material	Brass, Stainless steel	
Power connection	DIN 43650-A	
Environmental protection	IP65 (NEMA4)	

## DIMENSIONS (inches, depending on power cord used and/or coil type)



## EXPLODED VIEW

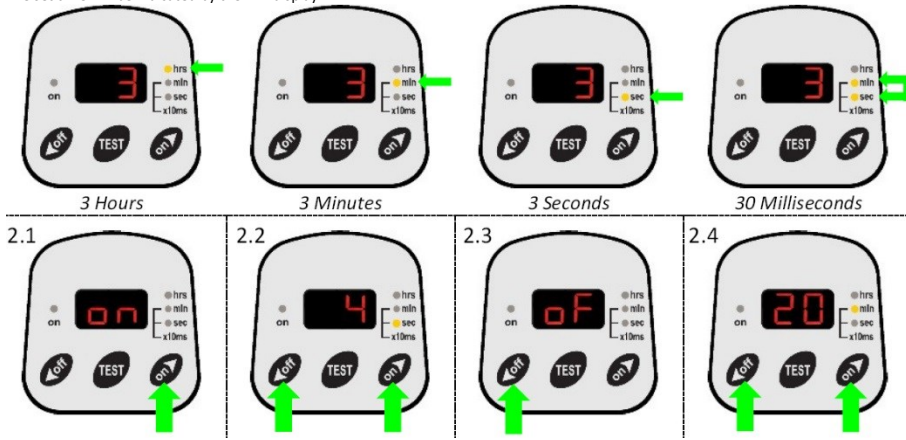


## REPLACEMENT PARTS

Description	Part No.
1. Electric cord (7 ft. Length Molded Din)	9905 UB
1. DIN Connector	9070
1. Conduit Connector	M550Z-RB
2. Timer (only)	8500 (110-240V) or 8501 (10-48V)
3. Coil (only)	42460 (24V AC)
	295210 (48V AC)
	42320 (115V AC)
	42300 (230V AC)
	42480 (24V DC)
4. Valve assembly (without coil)	321496
5. Service kit (valve internal parts)	298114

## TIME SETTING OPTIONS

The ON and OFF time of the timer can be programmed anywhere between 10ms and 99h.  
The set time will be indicated by the LED display.



## TIME SETTING OPTIONS

2.1 To change the ON time, press the right 'on/arrow up' button and 'ON' will appear briefly on the display.

2.2 You can now press the left 'off/arrow down' button for decreasing the time or the right 'on/arrow up' button to increase the time.

2.3 When the desired ON time is set, don't press any buttons. After a few seconds the display will start flashing, indicating that the new time is being saved. Once the new time is saved, the timer will start operating with the new time setting.

2.4 To change the OFF time, press the left 'off/arrow down' button and 'OF' will appear briefly on the display.

2.5 You can now press the left 'off/arrow down' button for decreasing the time or the right 'on/arrow up' button to increase the time.

2.6 When the desired OFF time is set, don't press any buttons. After a few seconds the display will start flashing, indicating that the new time is being saved. Once the new time is saved, the timer will start operating with the new time setting.

2.7 The timer is now fully programmed to your desired time settings and will work fully automatically.

## CHANGING THE TIMER FUNCTION

- Function 'A' - start with the ON time and then the OFF time, etc.
- Function 'C' - start with the OFF time and then the ON time, etc.
- Function 'B' - single shot, starts with the ON time and then switches OFF indefinite.
- Function 'D' - single shot, starts with the OFF time and then switches ON indefinite.
- Function 'E' - start with ON time then OFF time and then switches ON indefinite.
- Function 'F' - start with OFF time then ON time and then switches OFF indefinite.

The timer is factory set to function 'A'. Follow these steps to change the timer function:

1. Disconnect the unit from the power supply.
2. Press and hold down the 'TEST' button and connect the unit to the power supply.
3. Release the 'TEST' button after the current timer function appears on the display (A/ B/ C/ D/ E or F).
4. Use 'off/arrow down' and 'on/arrow up' buttons to select the function (A/ B/ C/ D/ E or F).
5. When the function is selected do not press anything, after a few seconds the unit will resume operation with the new function setting.
6. Change the pre-set ON and/or OFF times if required.

### RETURNING TO THE FACTORY SETTINGS

Factory settings of the timer: 3 seconds ON time, 30 minutes OFF time, function 'A'.

No matter how you change the settings you can always reset all settings to factory settings.

To do so please follow these easy steps:

1. Disconnect the unit from the power supply.
2. Press and hold down 'off/arrow down' and 'TEST' buttons, connect the unit to the power supply.
3. Release the buttons after 'P' appears on the display.
4. When 'A' appears on the display, do not press anything.
5. After a few seconds the unit will resume operation with factory settings.