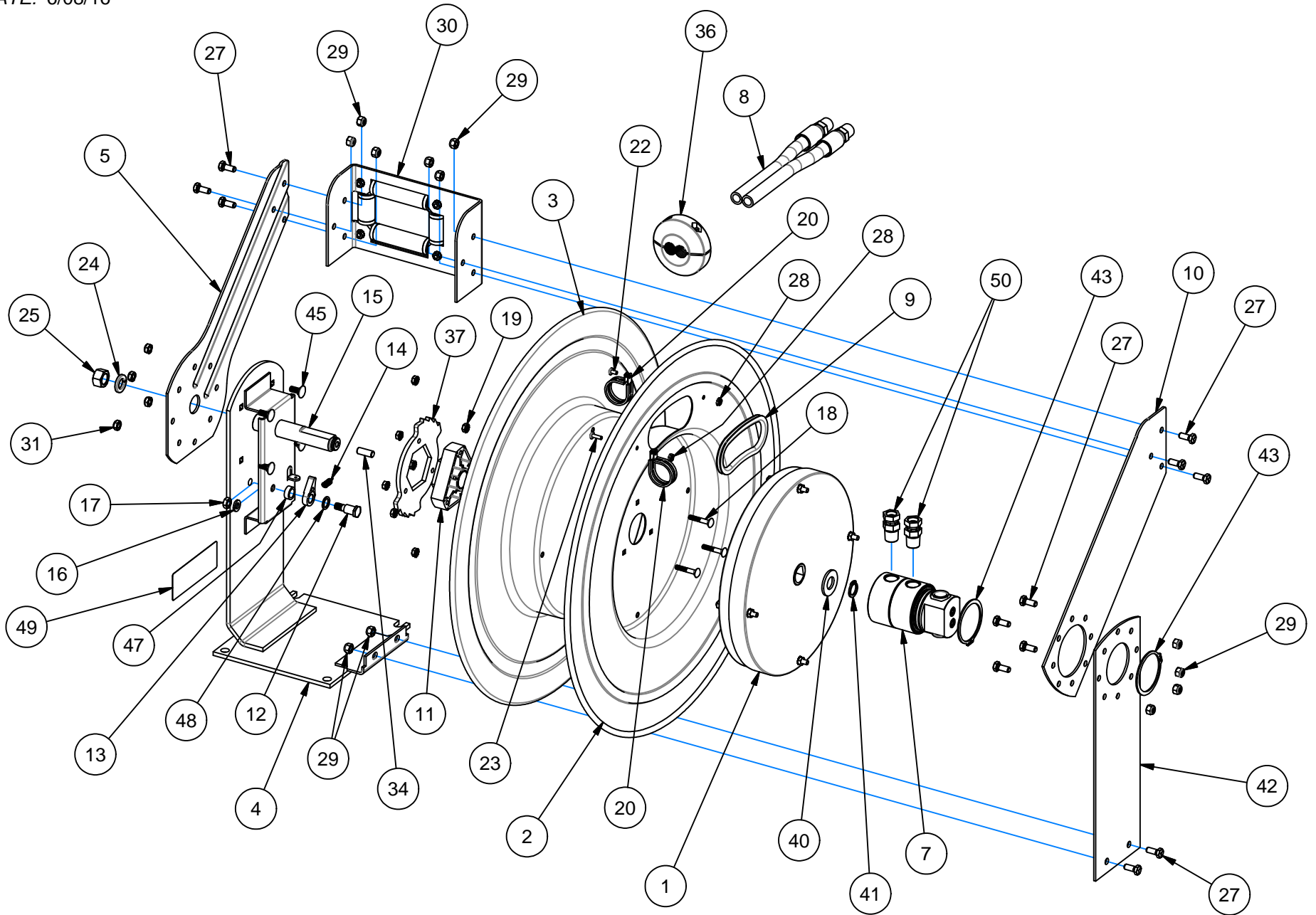


EXP-25

REVISION: E
ECO NO.: 3155
BY: J.F. KUSBEL
DATE: 6/08/16

COXREELS SERIES TDMP



COMMON PARTS TO ALL TDMP-N AND TDMP-L-N MODELS

ITEM	PART	DESCRIPTION	QTY
11	1776-3	ASSEMBLY: BEARING HUB	1
12	1620	BOLT: 1/2" X 1-1/2" SHOULDER	1
13	640-1-SS	DOG: LOCKING	1
14	274-1-SS	SPRING: LOCK DOG	1
16	437	WASHER: 3/8" LOCK	1
17	184	NUT: 3/8-16 JAM	1
18	1953	BOLT: 1/4-20 x 1-1/2" CARRIAGE	3
19	125	NUT: 1/4-20 KEPS	7
22	245	SCREW: #10-32 x 3/8" TRUSS HEAD	1
23	6341	SCREW: #10-32 x 5/8" TRUSS HEAD	1
24	438	WASHER: 5/8" LOCK	1
25	3584	NUT: 5/8-11 HEX	1

ITEM	PART	DESCRIPTION	QTY
27	312	BOLT: 5/16-18 x 3/4" HEX	12
28	130	NUT: #10-32 KEPS	2
29	111	NUT: 5/16-18 NYLOCK HEX	12
31	111-1	NUT: 5/16-18 NYLOCK (LOW PROFILE)	4
34	10235-SS	STUD: 3/8-16 X 1" SS	1
37	1924	RING: LOCKING	1
40	1755-1	WASHER: SPACER	1
41	1753	RING: RETAINING, (5160-75)	1
45	10220-75	BOLT: 5/16"-18 x 3/4" CARRIAGE	4
47	6440-SS	SPACER: SS	1
48	6441-1	WASHER: SPACER	1
49	10925-5	LABEL: STD. PRODUCT	1

ITEM NUMBER

MODEL NO.	1	2	3	4	5	7	8	9	10	15	20	30	36	42	43	50
	SPRING	DISK	DISK	BASE	ARM	SWIVEL	HOSE	GUARD	ARM	AXLE	CLAMP (2)	BRKT.	BALL STOP	SUPP.	R.RING (2)	ADAPTER(2)
TDMP-N-350	670	7238	7239	7524	1733	7516	5225-50	7460-13	7522	1794	384	8737-1	633	7521	7528	815
TDMP-N-450	670	7238	7239	7524	1733	7516	5257-50	7460-13	7522	1794	9054	8737-1	635	7521	7528	814
TDMP-L-N-350	670	7238	7239	7524	1733	7516	-	7460-13	7522	1794	384	8737-1	-	7521	7528	815
TDMP-L-N-450	670	7238	7239	7524	1733	7516	-	7460-13	7522	1794	9054	8737-1	-	7521	7528	814

REEL ASSEMBLY REPORTS:

- R100 LATCHOUT REMOVAL PROCEDURE
- R101 LOCKING RING PLACEMENT
- R112 TIGHTENING AND TORQUING

REVISION: E

ECO: 3155

DATE: 6/8/2016

NAME: J.F. KUSBEL