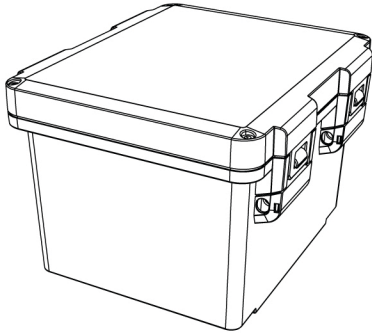
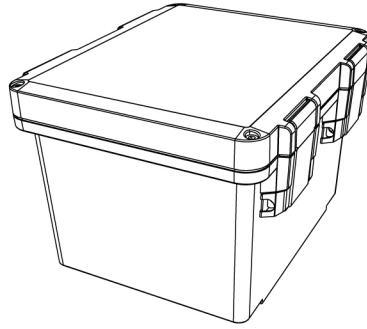


Polycon Enclosure Assembly Instructions

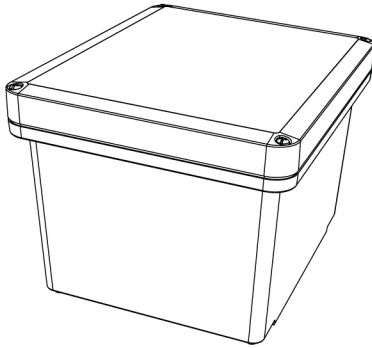
Polycarbonate Wall Mount Enclosure
Hinged, Nonmetal Snap Latch



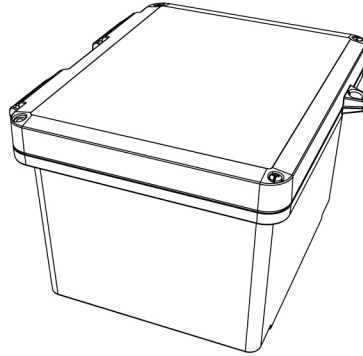
Polycarbonate Wall Mount Enclosure
Hinged, Metal Snap Latch



Polycarbonate Wall Mount Enclosure
Lift-Off 4-Screws



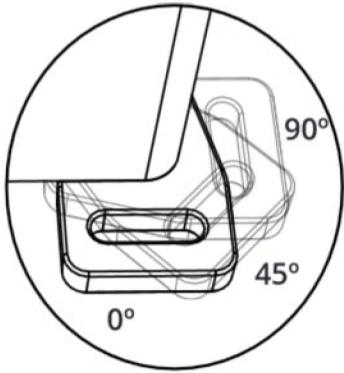
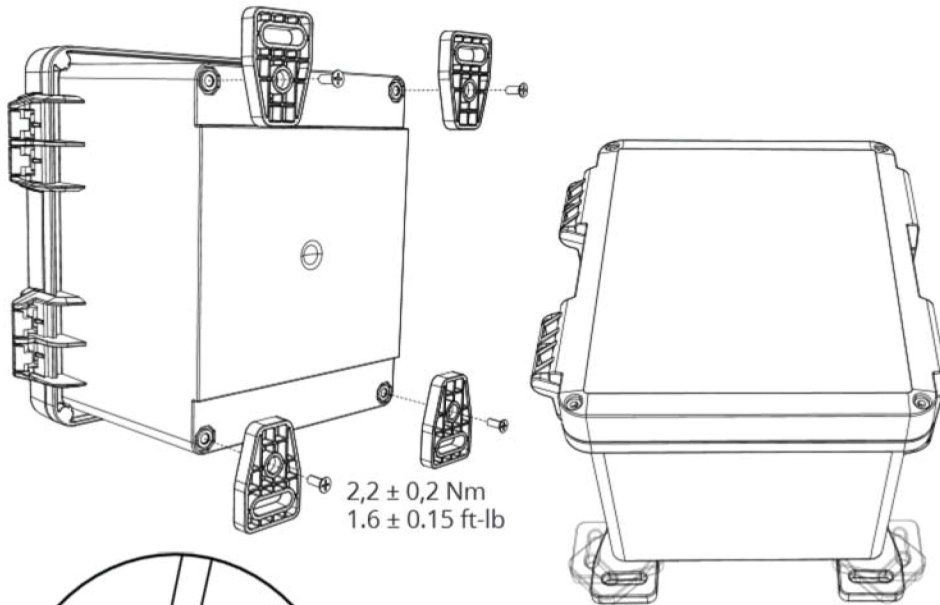
Polycarbonate Wall Mount Enclosure
Hinged 2-Screws, Padlock Clamp



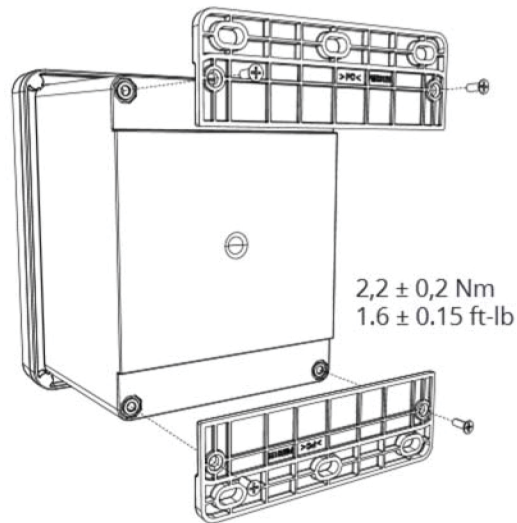
Wall mounting

Fix the mounting feet or flanges with the screws included.

When mounting the enclosure on a wall, select the screw type depending on the wall type.

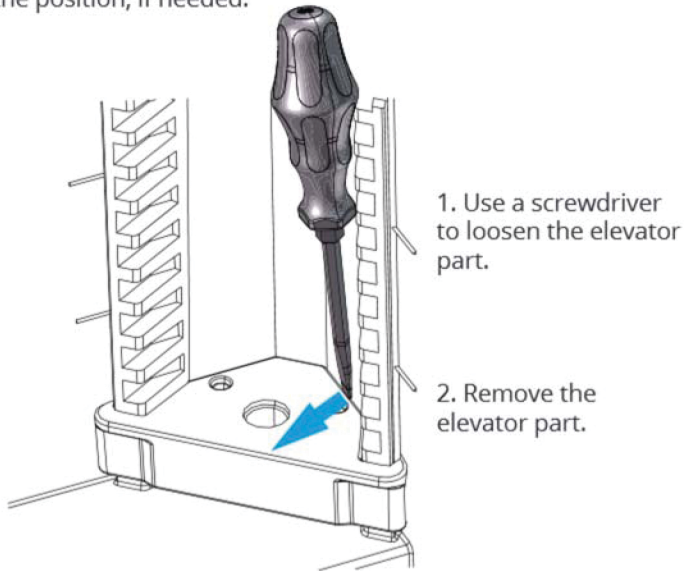


You can put the mounting feet in three possible positions.



Remove the elevator parts

The elevator parts are in factory pre-installed at the bottom of the enclosure. You can change the position, if needed.

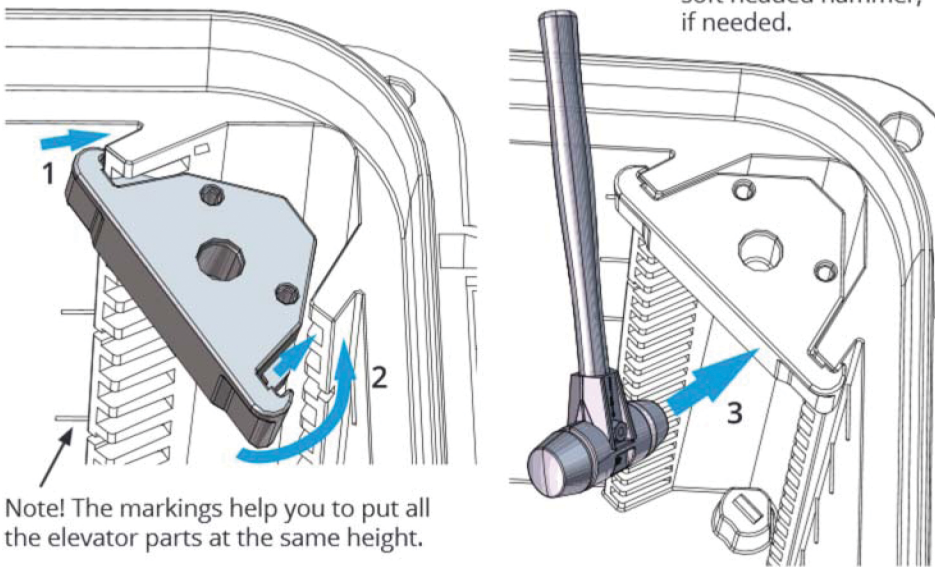


Fix the elevator parts

1. Snap in one side of the elevator part in place.

2. Then twist the elevator part and snap in the other side in place.

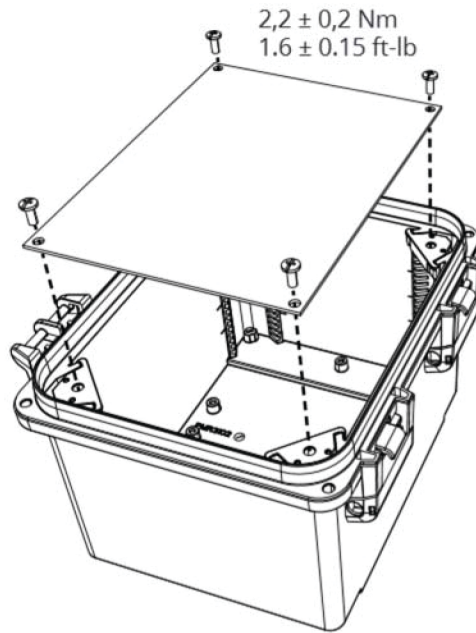
3. Tap carefully with a soft headed hammer, if needed.



Note! The markings help you to put all the elevator parts at the same height.

Fix the back panel

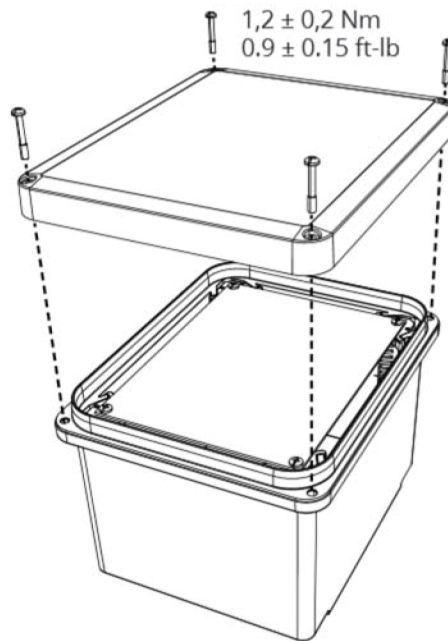
Secure the back panel with the fastening screws included.



Fix the cover

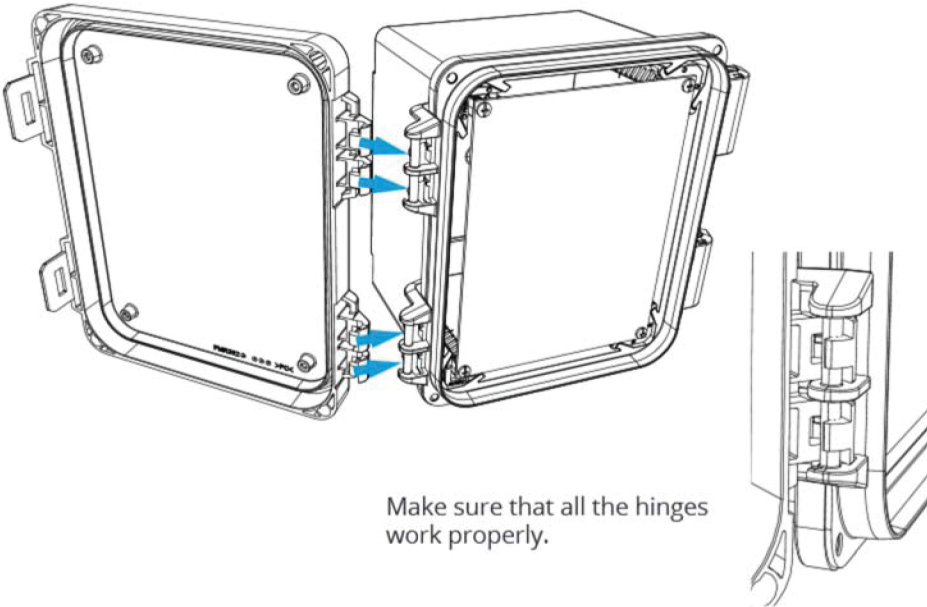
Lift-Off 4-Screws

Secure the cover with the screws included.



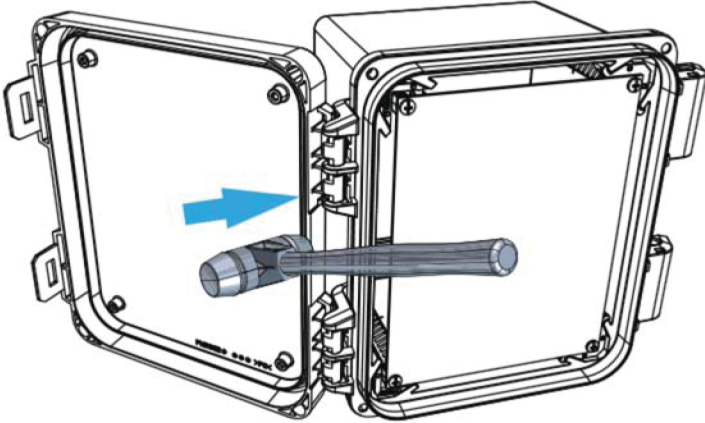
Enclosure with hinges

Locate the cover hinge parts carefully to the enclosure base hinge parts and then turn the cover part towards opening direction until you hear an audible snap.



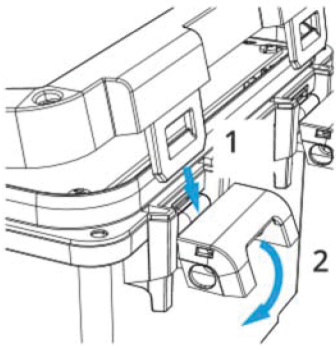
Make sure that all the hinges work properly.

Remove the cover by tapping firmly with a soft headed hammer. Do not use too much force.

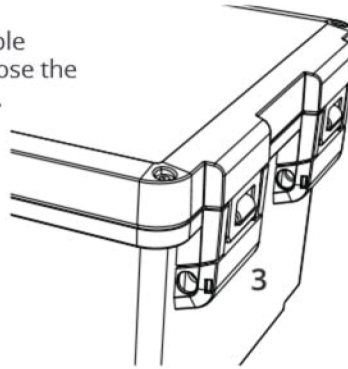


Close the snap latch

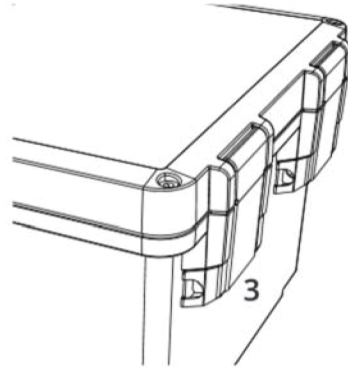
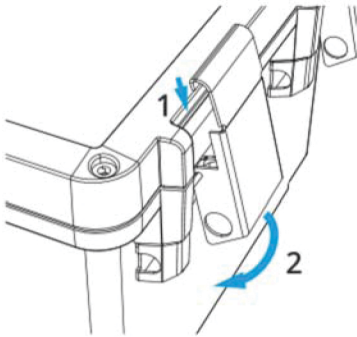
Nonmetal Snap Latch



You hear an audible snap when you close the enclosure latches.

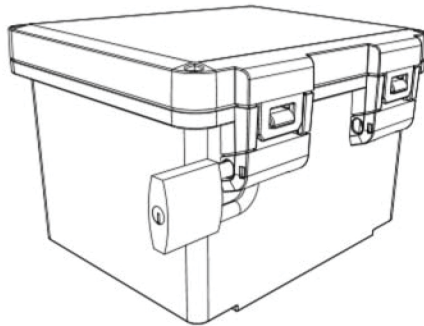


Metal Snap Latch

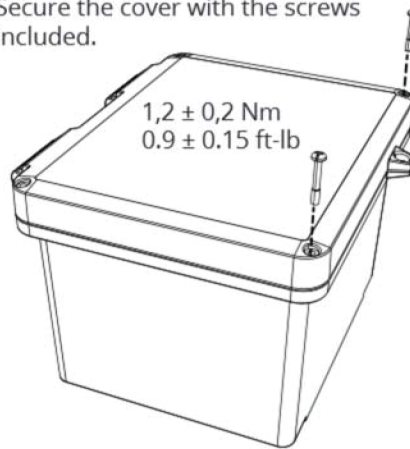


Hinged 2-screws, Padlock Clamp

Secure the cover with the screws included.



You can lock the enclosure with a padlock.



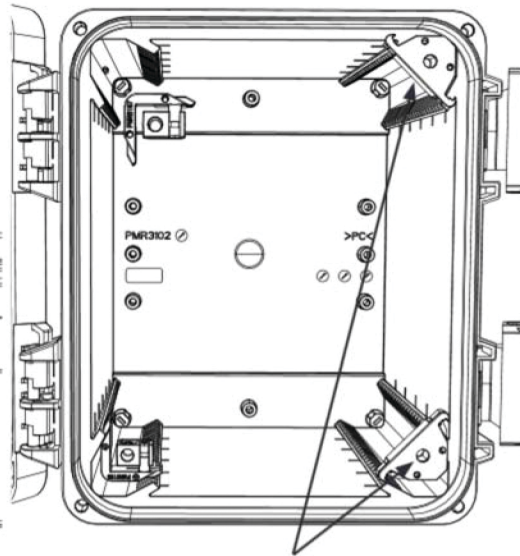
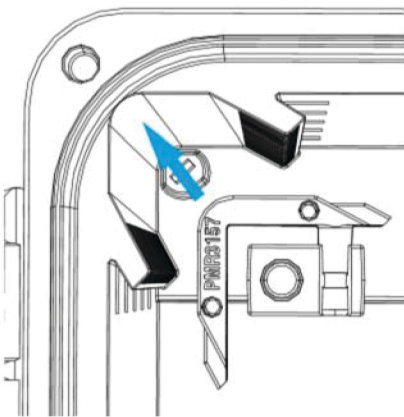
Accessories

Hinged front panel kit SUHFK

The package includes:

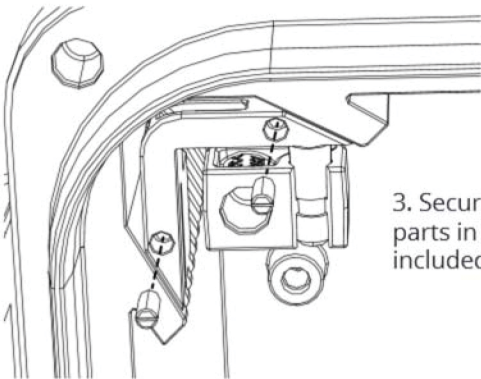
Elevator parts	2 pcs
Hinged elevator parts	2 pcs
Screws for the hinged elevator parts	2 pcs
Front panel, aluminium	1 pcs
Screws for the front panel	4 pcs

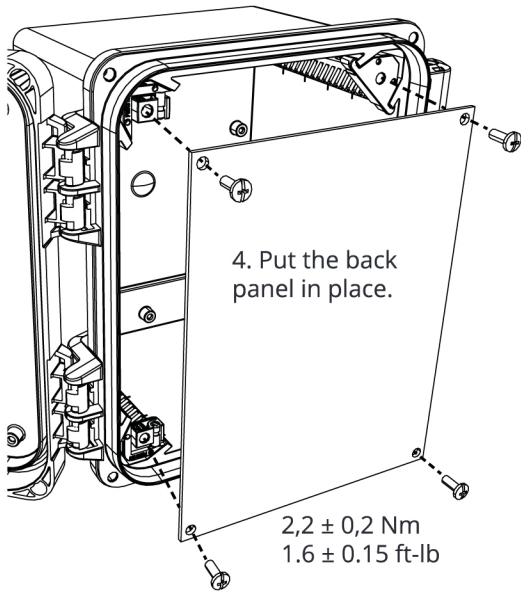
2. Put the hinged elevator parts in place.



1. Put the elevator parts in place in accordance with the picture on page 3.

3. Secure the hinged elevator parts in place with the screws included.



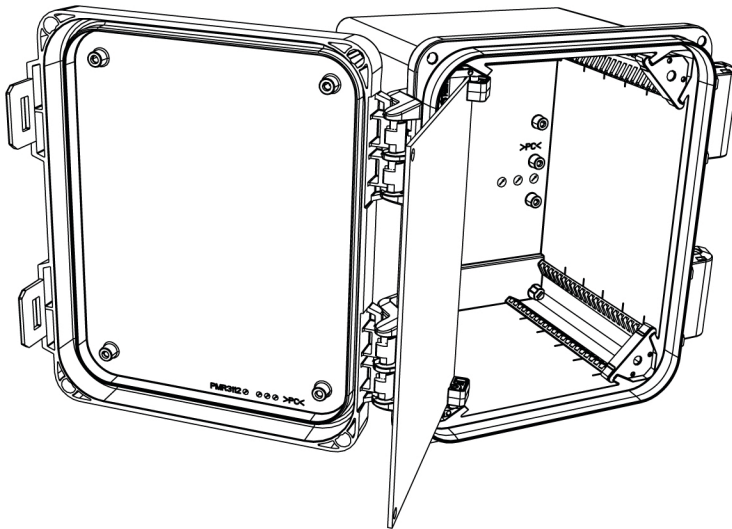


4. Put the back panel in place.

$2,2 \pm 0,2 \text{ Nm}$
 $1.6 \pm 0.15 \text{ ft-lb}$

5. Secure the back panel with the fastening screws included.

6. When tightening the screws, make sure that the hinge elevator parts do not turn along the screws. After assembly ensure correct hinge operation. The hinge pins must remain straight during operation.



SEALCON

7374 S. Eagle Street
Centennial, CO 80112
800-456-9012 Toll Free
303-699-1135 Phone
303-680-5344 Fax
www.sealconusa.com
info@sealcinusa.com