

LED SOLAR WALL MOUNT LIGHT

User Manual



4W / 400LM



RemPhos by **Light Efficient Design**
lighting on target

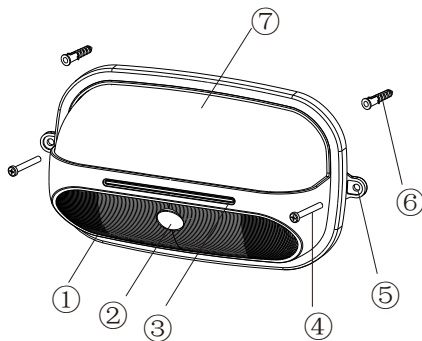
FOR LIGHT EFFICIENT DESIGN PRODUCT INFO CALL Light Efficient Design • 188 S. Northwest Highway • Cary, IL 60013 • 847.380.3540 • led-llc.com
FOR REMPHOS PRODUCT INFO CALL RemPhos by Light Efficient Design • 30 Log Bridge Road, Building 200 • Middleton, MA 01949 • 877.997.3674 • remphos.com

01.15.2019 Information is subject to change without notice.

Specification

Product Name	RP-SML-4W-40K-BK-GI
Power/Lumen	4W / 400LM
Dimension	L 8.43IN x W 5.26IN x H 0.29IN
LEDS	SMD2835, 34PCS
Li-ion Battery	Lasts at least 1500 cycles, 18.5WH
Solar Panel	1W Poly Crystalline Silicon
Working Mode	3 Different Lighting Modes
Detection Angle/Area	120° / < 16FT
Material	AL+PC
Beam Angle	120°
IP Degree	IP65
Install Height	9-10 FT
Lifespan	35.000hrs
Warranty	3 YEARS
Packing	1*Solar Light, 1*Screws Bag, 1*User Manual,
Battery Charging Temp	32°F~149°F
Fixture Operating Temp	-13°F~149°F

Exploded view



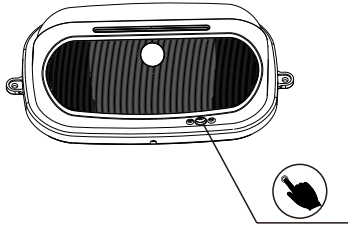
- ① Lampshade
- ② PIR
- ③ Dump energy indicator
- ④ Screw
- ⑤ Hole
- ⑥ Expansion pillar-hinge
- ⑦ Solar panel

RemPhos by Light Efficient Design
lighting on target

FOR LIGHT EFFICIENT DESIGN PRODUCT INFO CALL Light Efficient Design • 188 S. Northwest Highway • Cary, IL 60013 • 847.380.3540 • led-llc.com
FOR REMPHOS PRODUCT INFO CALL RemPhos by Light Efficient Design • 30 Log Bridge Road, Building 200 • Middleton, MA 01949 • 877.997.3674 • remphos.com

01.15.2019 Information is subject to change without notice.

3 Working Modes



ON/OFF SWITCH

A red button located on the bottom right area of the lamp. Press and hold to turn on and off.

MODES SWITCH

To change the modes on the light, short press the red button to cycle between mode 1, 2, & 3.

MODE
1

PIR MOTION SENSOR MODE Dims the brightness of the lamp until dawn to 10% with the motion sensor active. Once the motion sensor is active it will shine at full brightness for 30 seconds.

MODE
2

TIMER MODE The first 3 hours of use will project 25% of the total light output and then switch to Mode 1.

MODE
3

FULL BRIGHTNESS MODE The light will be at 100% brightness until dawn.

NOTE 400 lumens is 100% light output

DUMP ENERGY INDICATOR

4 blue LEDs: 8+ using days / 3 blue LEDs: 6+ using days

2 blue LEDs: 4+ using days / 1 blue LEDs: 2+ using days

Note: It is normal that different LEDs number will be on in different mode.

Special Note

- ❖ Do not install the lamp away from the sun, under a shadow or between two buildings where the height of one building will affect how much light the product receives. Not installing with enough sunlight will lead to insufficient absorption of sunlight and insufficient brightness and time;
- ❖ Do not use the lamp in an environment with a temperature above 113 F or below 32F, otherwise the battery can be permanently damaged.
- ❖ Do not use non-standard installation accessories to install the lamp. This will void the warranty.
- ❖ Please be aware of your location to determine the most optimal mode for your satisfaction.

RemPhos by Light Efficient Design
lighting on target

FOR LIGHT EFFICIENT DESIGN PRODUCT INFO CALL Light Efficient Design • 188 S. Northwest Highway • Cary, IL 60013 • 847.380.3540 • led-llc.com
FOR REMPHOS PRODUCT INFO CALL RemPhos by Light Efficient Design • 30 Log Bridge Road, Building 200 • Middleton, MA 01949 • 877.997.3674 • remphos.com

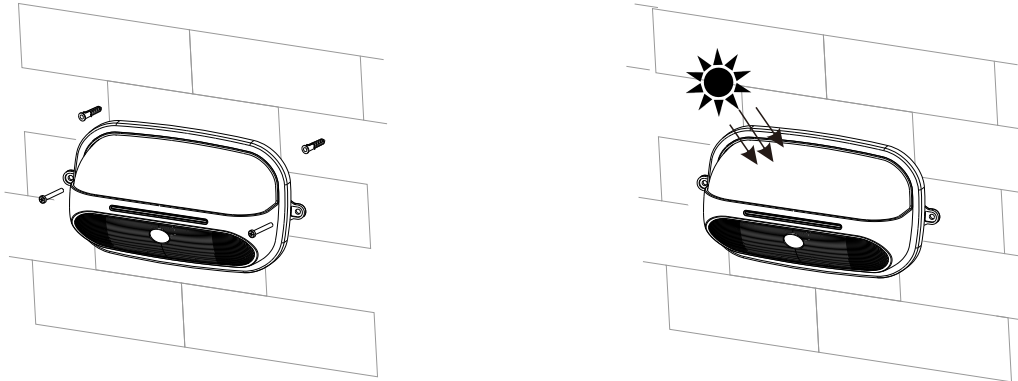
01.15.2019 Information is subject to change without notice.

Installation

1. Drill the hole according to the scale plate;
2. Fix the lamp on the wall with screw.

Tips: Keep the solar panel facing the sun to ensure a quality charge.

Refer to the right picture



Notice & Warning

- ❖ Keep the device away from fire and oil to avoid any fire or explosion;
- ❖ No one except professional technicians should attempt to disassemble the light in order to avoid damaging the light;
- ❖ It is strictly forbidden to disassemble the battery for personal use;
- ❖ If the lamp doesn't get charge for 3 days, the battery maybe out of power, you have to charge it under bright sunlight;
- ❖ In order to ensure that the lamp works in an ideal state for a long time, please clean the solar panel regularly according to the local dust conditions, our suggestion is one time at least half a year.

RemPhos by **Light Efficient Design**
lighting on target

FOR LIGHT EFFICIENT DESIGN PRODUCT INFO CALL Light Efficient Design • 188 S. Northwest Highway • Cary, IL 60013 • 847.380.3540 • led-llc.com
FOR REMPHOS PRODUCT INFO CALL RemPhos by Light Efficient Design • 30 Log Bridge Road, Building 200 • Middleton, MA 01949 • 877.997.3674 • remphos.com

01.15.2019 Information is subject to change without notice.