

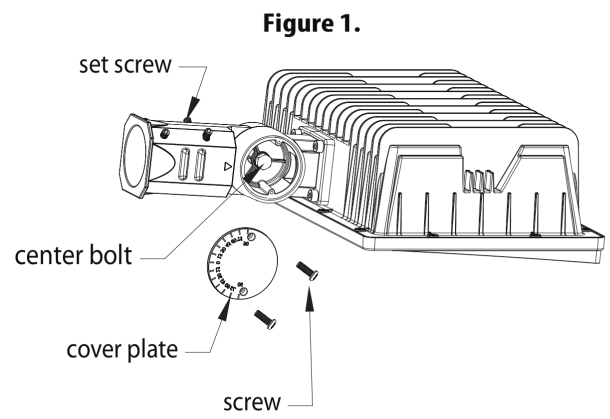
**WARNING**

**PLEASE READ ALL INSTRUCTIONS BEFORE ATTEMPTING INSTALLATION**

- To prevent personal injury or product damage only licensed electricians should install.
- To avoid electric shock or component damage disconnect power before attempting installation or servicing.
- This product must be installed in accordance with the national electric code (NEC) and all applicable federal, state and local electric codes and safety standards.
- Disconnect product and allow cooling prior to servicing.
- Any alteration or modification of this product is expressly forbidden as it may cause serious personal injury, death, property damage and/or product malfunction.
- To prevent product malfunction and/or electrical shock this product must be properly grounded.
- This luminaire is designed to operate in ambient temperatures ranging from -40°C to 45°C.
- LIMIT RANGE OF ADJUSTMENT TO.

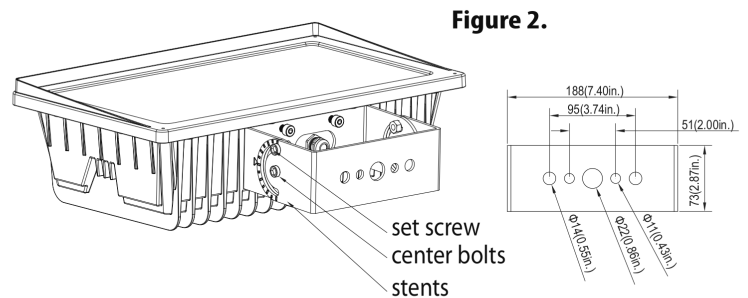
### Slipfitter Mounting (Figure 1.)

1. Remove cover plate screws and cover plate.
2. Loosen center bolt, rotate fixture to the desired angle, and tighten center bolt.
3. Replace cover plate and tighten cover plate.
4. Make wiring connections per wiring diagram and place connections down into pole or mounting bracket.
5. Loosen set screws and slide the slipfitter onto pole or mounting bracket.
6. Position fixture into the desired direction; and tighten set screws.
7. Tighten lock nuts.



### Trunnion Mounting (Figure 2.)

1. Mount fixture to surface using the hole pattern provided on the trunnion bracket.
2. Loosen center bolts and set screw.
3. Rotate fixture to desired aiming position and tighten center bolts.
4. Tighten set screw.
5. Refer to wiring diagrams for power connection.



### TROUBLESHOOTING

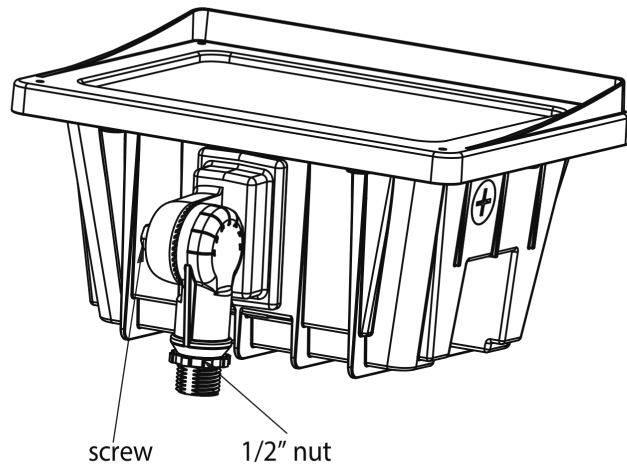
1. Check that the line voltage at the fixture is correct.  
Refer to wiring directions.
2. Is the fixture grounded properly.
3. Be sure the photocell, if used, is functioning properly.

**WARNING**

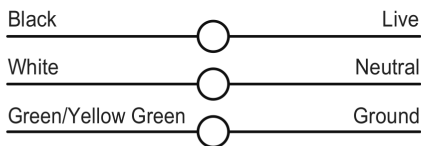
**PLEASE READ ALL INSTRUCTIONS BEFORE ATTEMPTING INSTALLATION**

- To prevent personal injury or product damage only licensed electricians should install.
- To avoid electric shock or component damage disconnect power before attempting installation or servicing.
- This product must be installed in accordance with the national electric code (NEC) and all applicable federal, state and local electric codes and safety standards.
- Disconnect product and allow cooling prior to servicing.
- Any alteration or modification of this product is expressly forbidden as it may cause serious personal injury, death, property damage and/or product malfunction.
- To prevent product malfunction and/or electrical shock this product must be properly grounded.
- This luminaire is designed to operate in ambient temperatures ranging from -40°C to 45°C.

## Installation Guide



### Wire Connection

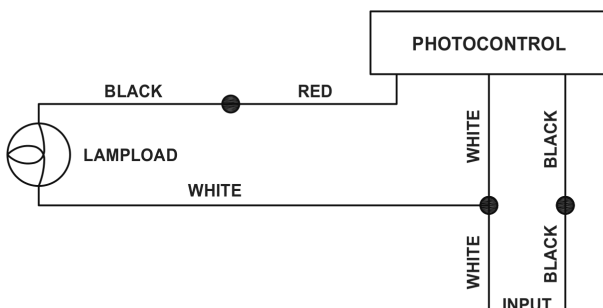


1. Mount this fixture to any metal 1/2" NPS threaded mounting (supplied by others) , Please mount the fixture prior to make wiring connection.
2. Route electrical leads through the mounting hole.
3. Seal knuckle threads with sealing compound (provided by others). Secure the mounting fitter to fixture with lock nut.
4. Make wire connection (see wiring diagram above).
5. Adjust aiming angle of the fixture by loosening the pivot screw. Use visual angle indicators to set desired angle, then tighten pivot screw.

## PHOTOCELL INSTALLATION

Universal voltage driver permits operation at 120V to 277VAC, 60 Hz except fixtures factory ordered with a 120V photocell (P1) or 277V photocell (P2) or 120-277V photocell(P0).

1. Install photocell and wire as per diagram.
2. Use photocell rated for your supply voltage.



## TROUBLESHOOTING

1. Check that the line voltage at the fixture is correct. Refer to wiring directions.
2. Is the fixture grounded properly.
3. Be sure the photocell, if used, is functioning properly.



### WARNING

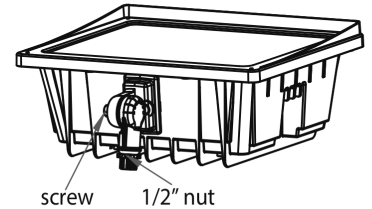
#### PLEASE READ ALL INSTRUCTIONS BEFORE ATTEMPTING INSTALLATION

- To prevent personal injury or product damage only licensed electricians should install.
- To avoid electric shock or component damage disconnect power before attempting installation or servicing.
- This product must be installed in accordance with the national electric code (NEC) and all applicable federal, state and local electric codes and safety standards.
- Disconnect product and allow cooling prior to servicing.
- Any alteration or modification of this product is expressly forbidden as it may cause serious personal injury, death, property damage and/or product malfunction.
- To prevent product malfunction and/or electrical shock this product must be properly grounded.
- This luminaire is designed to operate in ambient temperatures ranging from -40°C to 45°C.
- LIMIT RANGE OF ADJUSTMENT TO.

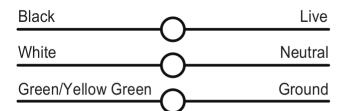
## Installation Guide

### 1/2 NPS Mounting (Figure 1.)

1. Mount this fixture to any metal 1/2" NPS threaded mounting (supplied by others), Please mount the fixture prior to make wiring connection.
2. Route electrical leads through the mounting hole.
3. Seal knuckle threads with sealing compound (provided by others). Secure the mounting fitter to fixture with lock nut.
4. Make wire connection (see wiring diagram above).
5. Adjust aiming angle of the fixture by loosening the pivot screw. Use visual angle indicators to set desired angle, then tighten pivot screw.

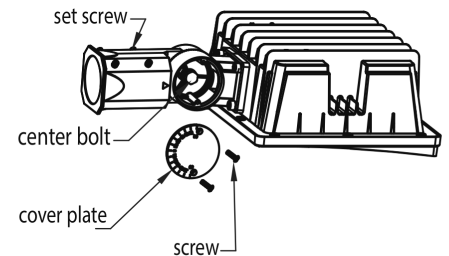


#### Wire Connection



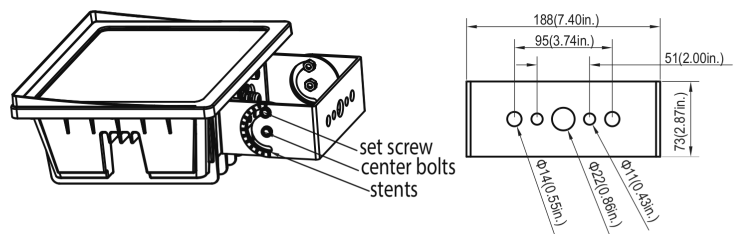
### Slipfitter Mounting (Figure 2.)

1. Remove cover plate screws and cover plate.
2. Loosen center bolt, rotate fixture to the desired angle, and tighten center bolt.
3. Replace cover plate and tighten cover plate.
4. Make wiring connections per wiring diagram and place connections down into pole or mounting bracket.
6. Loosen set screws and slide the slipfitter onto pole or mounting bracket.
7. Position fixture into the desired direction; and tighten set screws.
8. Tighten lock nuts.



### Trunnion Mounting (Figure 3.)

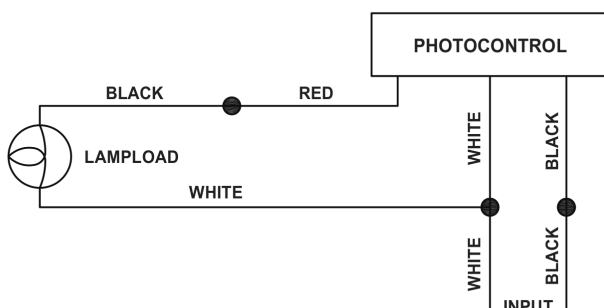
1. Mount fixture to surface using the hole pattern provided on the trunnion bracket.
2. Loosen center bolts and set screw.
3. Rotate fixture to desired aiming position and tighten center bolts.
4. Tighten set screw.
5. Refer to wiring diagrams for power connection.



## PHOTOCELL INSTALLATION

Universal voltage driver permits operation at 120V to 277VAC, 60 Hz except fixtures factory ordered with a 120V photocell (P1) or 277V photocell (P2) or 120-277V photocell(P0).

1. Install photocell and wire as per diagram.
2. Use photocell rated for your supply voltage.



## TROUBLESHOOTING

1. Check that the line voltage at the fixture is correct. Refer to wiring directions.
2. Is the fixture grounded properly.
3. Be sure the photocell, if used, is functioning properly.