



DESIGNER SCONCE

- > High transmission, acrylic plastic lens.
- > Flexible: flexWATT allows you to select between 4 wattages & flexCOLOR between 3 colors...all in the same fixture!
- > Future-proof: Powered by easily replaceable & upgradeable LEDSR G2 light engine.
- > Optional emergency battery back-up and control options.

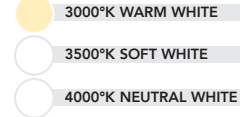


↑
powered by the LEDSR
G2 light engine

flexWATT
STANDARD



flexCOLOR
STANDARD



flexCONTROL
OPTIONAL

ORDER CONTROL READY,
BASIC CONTROL OR LG
ADVANCED CONTROL



120/
277V
ALSO WORKS
ON 208V & 240V



0-10V DIM



EFFICACY



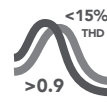
CRI



OPTIONAL EMG
BATTERY BACKUP



-20°C to 60°C
OPERATING
TEMP



PWR FACTOR



100,000hrs
RATED LIFE

PART #	UPC	FLEXWATTAGE	LUMENS	FLEXCOLOR
RP-SCD-11N-8L-40K-WC-G2	844006022525	6W/10W/12W/15W	816	3000K/3500K/4000K

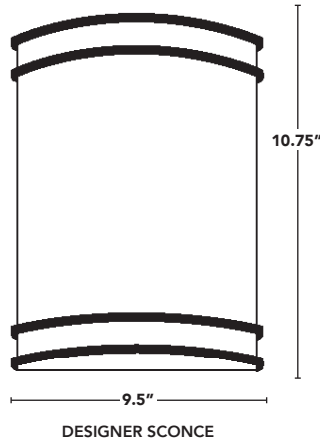


Available from Major Electronix.com | sales@majorelectronix.com |
800-966-2345 | www.productsforautomation.com

11.03.22 Information is subject to change without notice.



DESIGNER SCONCE



PART #	UPC	FLEXWATTAGE	LUMENS	LPW	FLEXCOLOR	ENERGY STAR	QUICK SHIP
RP-SCD-11N-8L-40K-WC-G2	844006022525	6W/10W/12W/15W	816	130-142	3000K/3500K/4000K	✓	✓
RP-SCD-11N-8L-40K-WC-G2-OC1	844006027193	6W/10W/12W/15W	816	130-142	3000K/3500K/4000K		✓

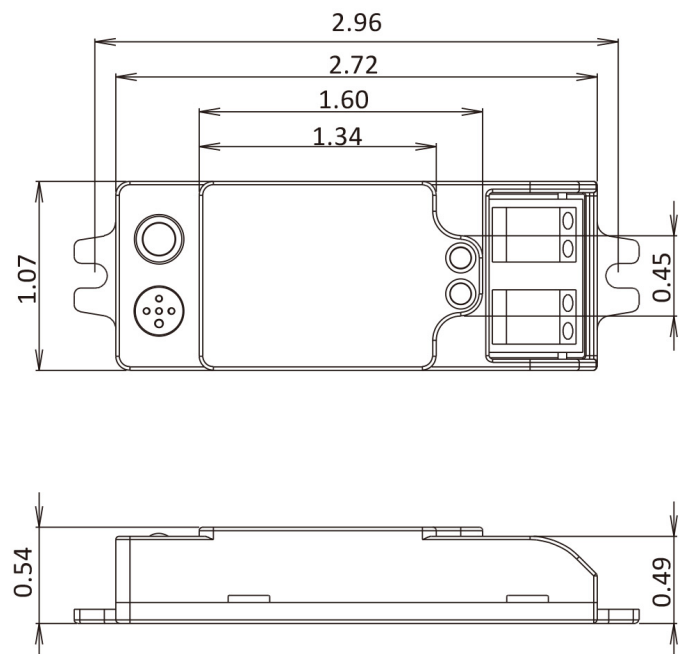
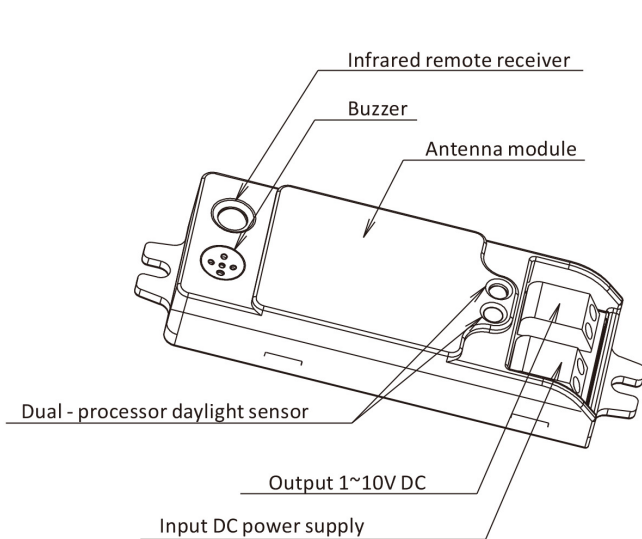
CCT SELECTION

LUMEN SELECTION	830	835	840
8L	780LM, 6W	780LM, 6W	816LM, 6W
14L	1370LM, 10W	1440LM, 10W	1370LM, 10W
17L	1692LM, 12W	1680LM, 12W	1764LM, 12W
21L	2025LM, 15W	2100LM, 15W	2130LM, 15W



SENSOR OPTIONS: OCC / OCCLR

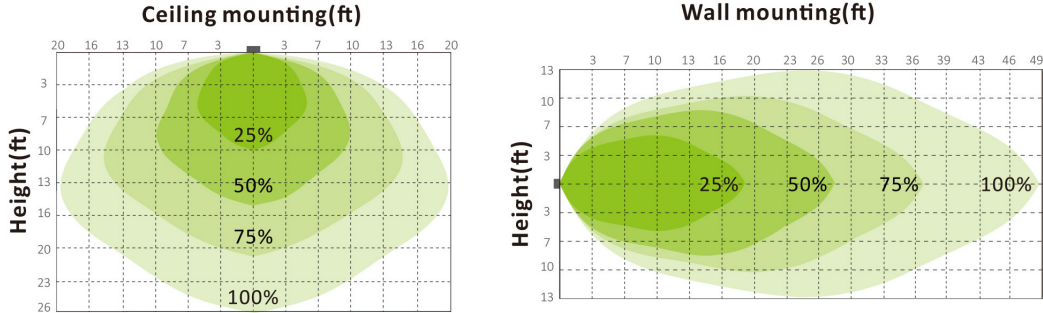
- > OCC - Standard high/low motion sensor.
Remote: IR12
- > OCCLR - Limited range high/low motion sensor.
Remote: IR12



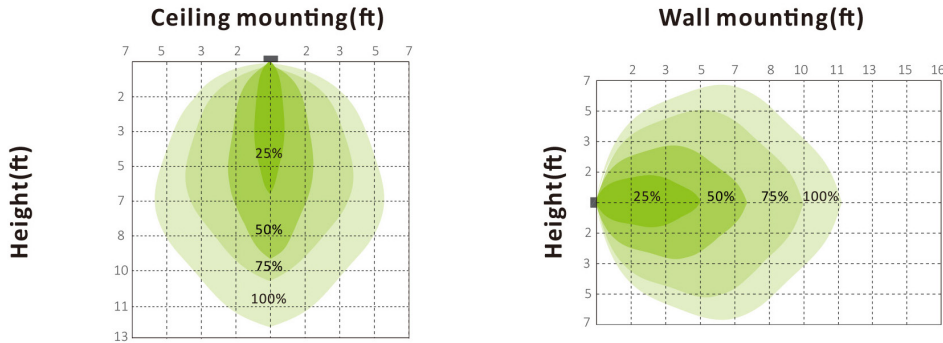
- > Occupancy sensor w/ daylight hold-off.
- > Powered by 12V DC LED driver from fixture - provided by the LED power supply.
- > High frequency radar occupancy sensor.
- > Infrared remote control available (sold separately).
- > Uses less than 0.1W in standby mode.



DETECTION PATTERN OCC (STANDARD OPTION)



DETECTION PATTERN OCCLR (LIMITED RANGE)

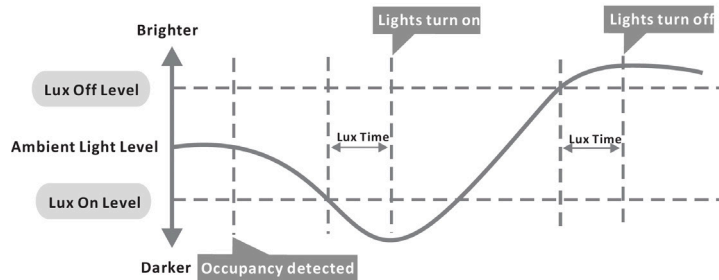


DAYLIGHT MONITORING FUNCTION

This sensor can tell the difference between natural light and artificial light (lamp) from behind the diffuser, switch on automatically (even without movements) when the ambient light is below the target value, and then switch off automatically whenever the artificial light is not required (ambient light is bright enough).

Note: Lux-Off sampling time - 30s; Lux-On sampling time - 10s

Lux-On function will only operate without motion when standby is set to + ∞.





DESIGNER SCONCE

SENSOR OPTIONS: OCC / OCCLR



Permanent ON/OFF function

Press "POWER" button, sensor is disabled.

*press "Auto", "Reset" or "Ambient learn" to quit this mode.



Dim +/-

Press "Dim" button to automatically dim up or down the light brightness during hold-time from 10% to 100%. Another press to lock it down when desired brightness is achieved.

*after desired brightness is locked down, if user wants to dim again reversely, just press the "Dim" button again and then lock down the new brightness again.



Sensor mode

Press "Auto" button, the sensor starts to work and all settings remain the same as the latest status before the sensor was disabled.



Reset function

Press "Reset" button, all settings go back to factory default settings.

* Factory default settings--

- Sensitivity=100%
- Daylight sensor=disable
- Hold time=5min
- Twilight time=+∞
- Twilight level=30%



Ambient learn

Press "Ambient learn" button, the latest surrounding lux value overwrites previous lux value learned, and set as the daylight threshold. This feature enables the fixture to function well in any real application circumstance.



Test mode

"Test mode" is for testing purpose only, for users to check the functionality and choose the desired detection range. The sensor goes to test mode automatically after pressing this button.

Users can quit this mode by pressing "ON/OFF", "Reset", or any button of "Hold time". The sensor settings are changed accordingly.

* Test mode defaulted settings--

- Daylight sensor=disable
- Hold time=3s
- Twilight time=N/A
- Twilight level=N/A



IR12

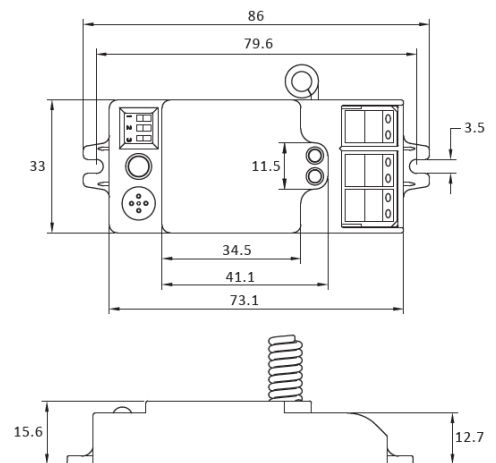
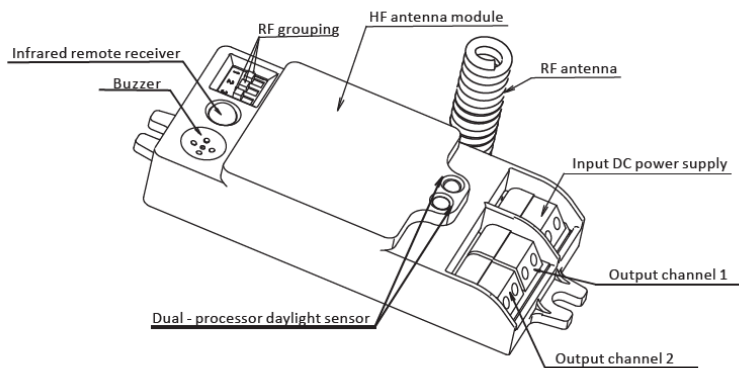
Note:

- The buzzer short beeps (~0.5s) ONCE when sensor successfully receives RC signal after pressing any buttons except for "Ambient learn".
- The buzzer short beeps (~0.5s) TWICE to start learning ambient lux after pressing "Ambient learn". Then followed by a long beep (~1s) to indicate the success of ambient learning.
- When "twilight level" set at 0%, it becomes ON/OFF control.



SENSOR OPTIONS: OCCRF (SIMPLE GROUPING SENSOR)

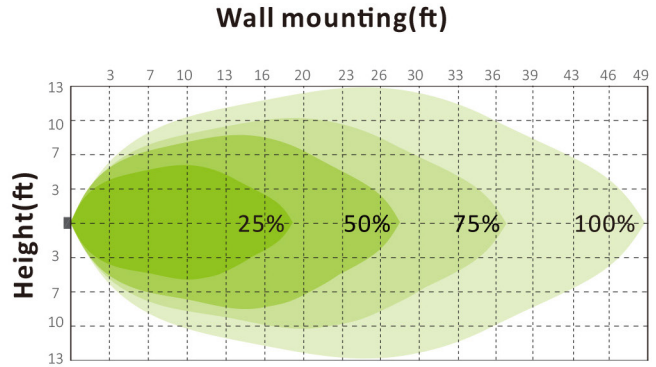
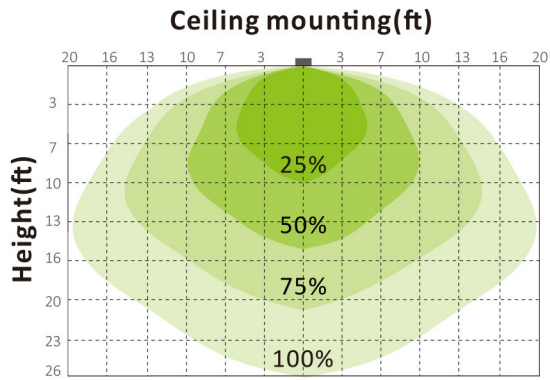
- > OCCRF - Standard high/low motion sensor.
- Remote: IR13



- > Simple grouping motion sensor w/ daylight hold-off.
- > Powered by 12V DC - provided by the LED power supply.
- > Max 150 ft. grouping range.
- > Ideal for stairways, parking garages & hallways.
- > Grouping by remote or dip switch (infrared remote control sold separately).
- > Uses less than 0.1W in standby mode.



DETECTION PATTERN OCCRF

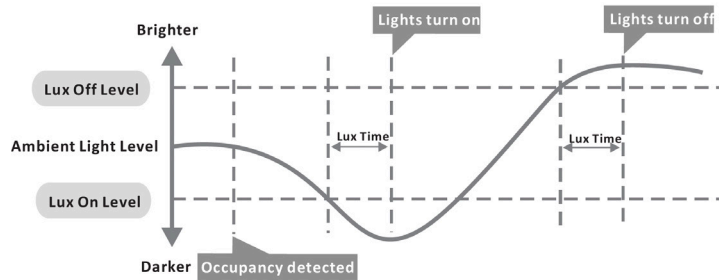


DAYLIGHT MONITORING FUNCTION

This sensor can tell the difference between natural light and artificial light (lamp) from behind the diffuser, switch on automatically (even without movements) when the ambient light is below the target value, and then switch off automatically whenever the artificial light is not required (ambient light is bright enough).

Note: Lux-Off sampling time - 30s; Lux-On sampling time - 10s

Lux-On function will only operate without motion when standby is set to + ∞.





DESIGNER SCONCE

SENSOR OPTIONS: OCCRF (SIMPLE GROUPING SENSOR)



OCC OFF function

Press "OCC OFF" button, the motion sensor will be disabled.

*press "OCC ON", "Reset" or "Ambient" to re-activate the motion sensor.



Dim

Press "Dim" button to automatically dim up or down the light brightness during hold-time from 10% to 100%. Another press to lock it down when desired brightness is achieved.

*After desired brightness is locked down, if user wants to dim again reversely, just press the "Dim" button again and then lock down the new brightness again.



OCC ON function

Press "OCC ON" button, the sensor starts to work and all settings remain the same as the latest status before the light was switched on / off.



Reset function

Press "Reset" button, all sensor settings go back to factory default settings.

* Factory default setting:

- Sensitivity=100%
- Daylight sensor=disable
- Hold time=90s
- Twilight time=5min
- Twilight level=10%
- CCT=Neutral



Ambient learn

Press "Ambient learn" button, the latest surrounding lux value overwrites previous lux value learned, and set as the daylight threshold. This feature enables the fixture to function well in any real application circumstance.



Test mode

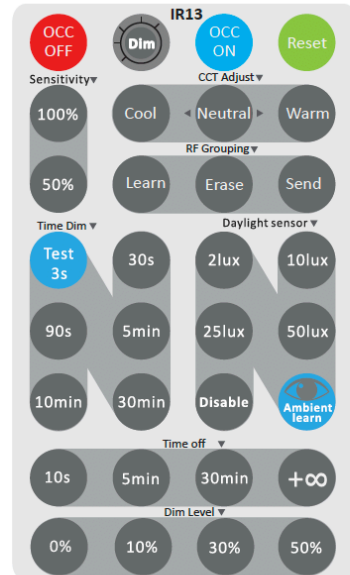
"Test mode" is for testing purpose only, for users to check the functionality and choose the desired detection range. The sensor goes to test mode automatically after pressing this button.

Users can quit this mode by pressing "ON/OFF", "Reset", or any button of "Hold time". The sensor settings are changed accordingly.

- * Test mode defaulted settings--
- Daylight sensor=disable
- Hold time=3s
- Twilight time=N/A
- Twilight level=N/A

In this mode, when used for on/off control, after motion detected, sensor enters into a cycle of 3s on and 2s off.

In this mode, when used for tri-level dimming control, after motion detected, sensor enters into a cycle of 3s on and 2s off (0.5s soft off + 1.5s off).



Note:

- The buzzer short beeps (~0.5s) ONCE when sensor successfully receives RC signal after pressing any buttons except for "Ambient learn".
- The buzzer short beeps (~0.5s) TWICE to start learning ambient lux after pressing "Ambient learn" Then followed by a long beep (~1s) to indicate the success of ambient learning.
- When "twilight level" set at 0%, it becomes ON/OFF control.
- Function zone of "CCT Adjust" is invalid for this model.



SENSOR OPTIONS: OCCRF (SIMPLE GROUPING SENSOR)

RF Grouping (via remote control)

- Learn Short press "Learn" button to the receiver unit to start grouping mode, the receiver unit will beep quickly (every second for 3min). This grouping mode will last for 3min, second short press on it will quit the grouping mode.
- Send Short press "Send" button to the commander unit, it will beep once to start a 5s RF signal sending, and then beep twice to indicate finish of it. After receiving the RF signal, the receiver unit will beep 1s to indicate the success of grouping.
- Erase Long press "Erase" button for 5s to the sensor unit, it will long beep once, to indicate the success of erasing.

Note:

1. If you want the sensor to work as both commander and receiver , you need to repeat the "learn" and "send" process again with the identification exchanged.
2. Each receiver can learn up to max. 32 commanders, commanders added beyond 32pcs will automatically substitute earlier ones.
3. Before using the remote control for grouping, you have to position the grouping DIP switch at OFF - OFF - OFF. (default from factory)

Steps for grouping with remote control:

Step 1: Press "Learn" button on sensor A



Step 2: Press "Send" button on sensor B



Step 4: Press "Send" button on sensor A



Step 3: Press "Learn" button on sensor B

Fast RF Grouping (via DIP switch)

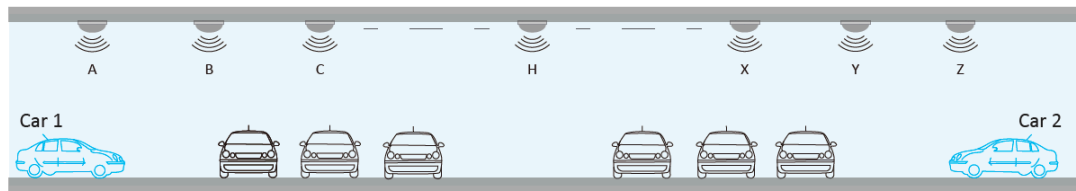
By simply selecting the same channel on each sensor unit, the grouping is quickly and automatically completed. Totally 7 channels are available for fast grouping.

*Channel OFF - OFF - OFF is not for fast grouping, it is for remote control grouping only.

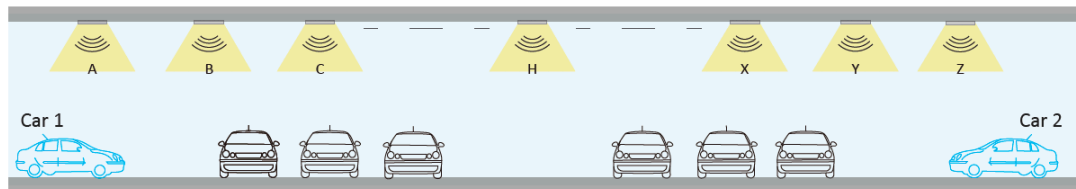


SENSOR OPTIONS: OCCRF (SIMPLE GROUPING SENSOR)

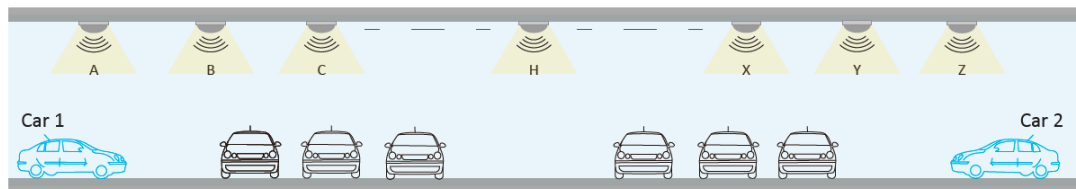
ILLUSTRATION FOR TYPICAL PARKING GARAGE APPLICATION



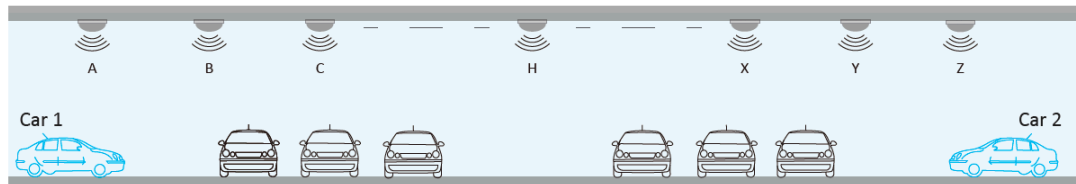
With sufficient daylight, sensor will not be triggered by motion, all lamps are off.



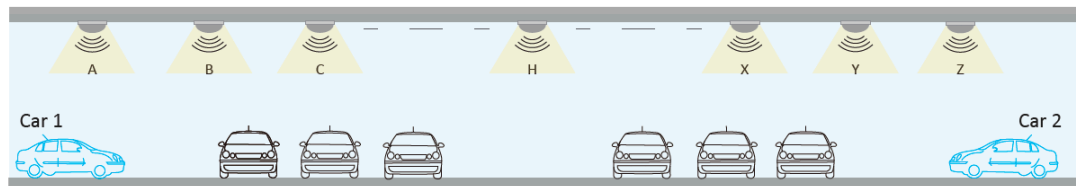
With insufficient natural light, either car 1 or car 2 enters the garage, sensor A or Z will be triggered on, and send RF signal simultaneously to all grouped sensors, all lamps will be 100% ON.



After the hold-time, the whole grouped lamps will dim to pre-defined dimming level (e.g., 10%) if no further movement detected.



The whole grouped lamps will switch off automatically after the stand-by period if no further movement detected.



Thanks to the daylight monitoring function, even no movement detected, the sensor will automatically switch on the lamp to pre-defined stand-by dimming level (e.g., 10%), as long as the natural light is below pre-defined lux threshold. (to achieve this unique function stand-by period of the sensor has to be set at $+\infty$).

***Note:**

1. The RF transmission is a triggering signal only to activate the grouped sensors, each sensor will act based on their own settings.
2. Thanks to the Dual-processor technology, the built-in daylight sensor will shut off the lamp in real time regardless of any movements as long as the detected natural light is higher than pre-defined lux threshold.