



March 2018, Rev C

901-0000-308

DANGER!



Potentially hazardous voltages are present. Electrical shock can cause death or serious injury. Installation should be done by qualified personnel following all National, State & Local Codes.



BE SURE TO REMOVE ALL POWER SUPPLYING THIS EQUIPMENT BEFORE CONNECTING OR DISCONNECTING WIRING. READ INSTRUCTIONS BEFORE INSTALLING OR OPERATING THIS DEVICE. KEEP FOR FUTURE REFERENCE.

Installation & Wiring

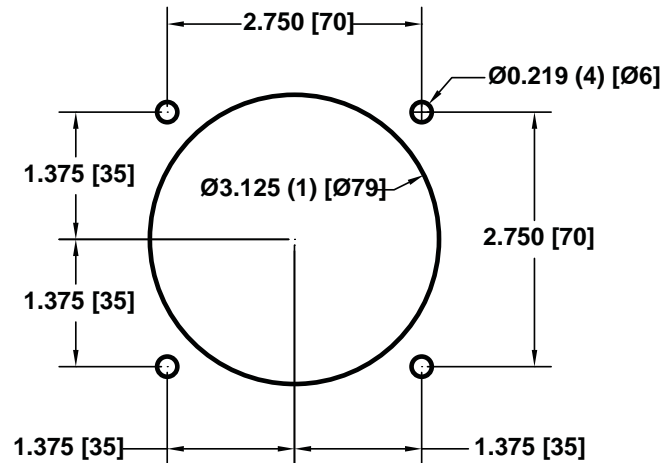
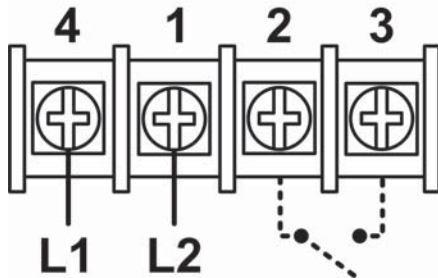
1. Panel mount the Percentage Timer in a suitable enclosure using the supplied mounting hardware.
2. Use #12-22 AWG copper or copper clad aluminum wire, solid or stranded. Recommended terminal tightening torque is 7 in.-lbs.
3. Wire the time delay relay per the wiring diagram on the side of the housing.

Setting

All PTA series products come with a single time delay range as indicated on the product label. Set the percentage of time that the relay is energized (ON) by adjusting the knob location to the desired percentage. A 0% setting means that the relay is continually de-energized (OFF). A 100% setting means that the relay is continually energized (ON).

Important

PTA series products, as standard, retain memory of the timing cycle and relay status even when power is lost. The timer will continue timing without reset of the timing cycle when power is reapplied. The relay will de-energize and return to the open (OFF) position upon loss of power. When power is restored, the relay will return to the state it was in prior to the power loss. Products with a "B" suffix have memory disabled, the timing cycle will be reset when power is lost on these products.



Panel Cutout
All Dimensions in
Inches (Millimeters)

Warranty

All catalog-listed PTA Series Percentage Timers manufactured by Macromatic are warranted to be free from defects in workmanship or material under normal service and use for a period of two (2) years from date of manufacture.