


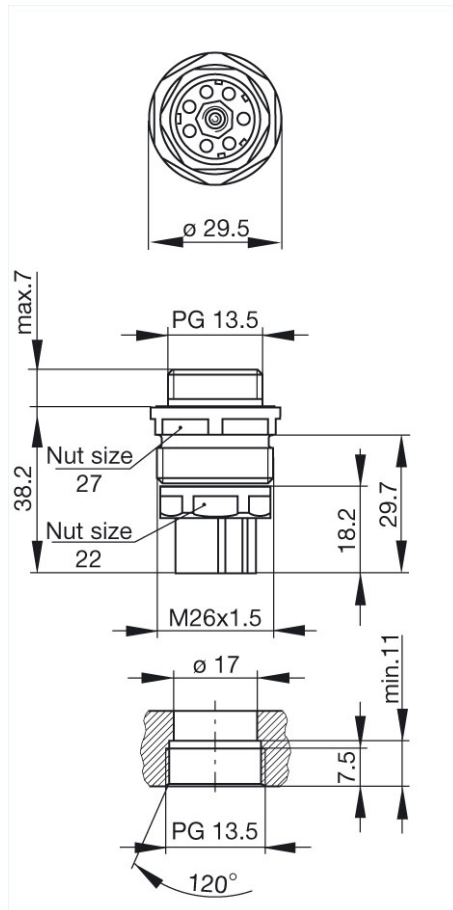
Product information

N6R AF

Industrial Connecting Solutions: Circular Connectors: MIL, DIN, Universal Connectors: DIN 43651 Connectors (NR series): Panel-mounted socket: N6R AF

| | |
|--|---|
| Name | N6R AF |
| |  |
| | Panel-mounted socket with metal screw-in casing |
| Delivery informations | |
| Availability | available |
| Product description | |
| Description | Panel-mounted socket with metal screw-in casing |
| Type | N6R AF |
| Order No. | 931 855-001 |
| Type of contact | female |
| Number of contacts | 6 + PE |
| Conductor size | max. 1.5 mm ² |
| Standard | DIN 43651 |
| Housing Color | grey, metallic |
| Technical data | |
| Pin dimensions | 1.6 mm |
| Rated voltage | AC/DC 250 V |
| Rated current | 10 A |
| Contact resistance | <= 5 mOhm |
| Type of termination | crimp |
| Suitable cables | 0.5 mm ² to 1.5 mm ² |
| Mounting | PG 13,5 |
| Material | |
| Contact surface material | Ag |
| Contact bearer material | PET |
| Housing material | PET |
| Environmental conditions | |
| Protection class (IEC 60529) | IP 65 |
| Temperature range | -40 °C to +90 °C |
| Packing unit | |
| Packaging unit | 10 pieces |
| Scope of delivery and accessories | |
| Scope of delivery | 1 panel-mounted socket, not assembled, in polythene bag, with assembly instructions |
| Accessories to order separately | can be plugged into N6R FM R, N6R EM; coding NC 6, order no. 831 002-011; protective cover SHK 2, order no. 733 845-001 contacts: RBC 162 |

Picture
Drawing



The information published in the websites has been compiled as carefully as possible. It is subject to alteration without notice in technical as well as in price-related/commercial respect. The complete information and data were available on user documentation. Mandatory information can only be obtained by a concrete query.