

# WALL PACK LED LIGHT

**LW35-BRZ-110-00**  
**LW35-WHA-110-00**

**FULL WALL PACK LED LIGHT, 35-WATT, BRONZE**  
**FULL WALL PACK LED LIGHT, 35-WATT, WHITE**

## SPECIFICATIONS

Maximum Lumens	4,500
Input Voltage (VAC)	110-277V
Input Current Amp (@ 110V)	0.28
Input Power (W)	35
Input Power Factor	0.98
Efficacy	128.57
Color Rendering Index (CRI)	80
Correlated Color Temperature (CCT)	5700K

## CHARACTERISTICS

Maximum Candela	1511.84
Maximum Candela Angle	C=270.0 $\gamma$ =15.0
Horizontal Beam Angle (50%)	132.3
Vertical Beam Angle (50%)	87.9
Horizontal Field Angle (10%)	166.3
Vertical Field Angle (10%)	142.7
Total Luminaire Watts	32.8

**LUMENS = 3,210**

**REPLACES: 175W MH LAMP**

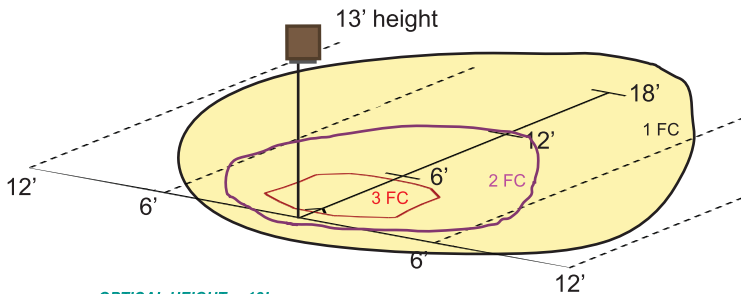
**RATED LIFE = 50k+ Hours**



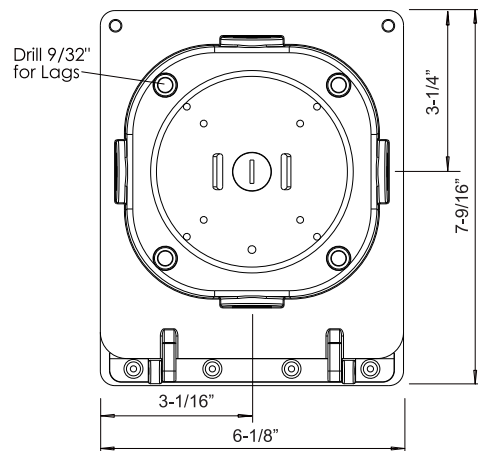
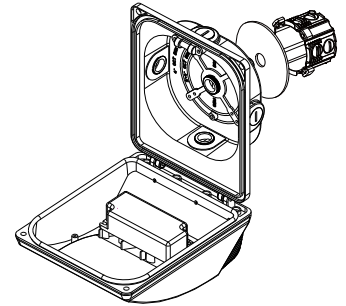
## FEATURES



- Built-in level for one hand installation
- Traditional clamshell design for quick installation
- UV stabilized impact resistant polycarbonate lens
- Powder coated, heat sink cast aluminum housing
- Concealed fastener for improve aesthetics\* and theft prevention
- Long life 50,000+ hours LED's to reduce maintenance cost/replacements
- Silicone seals for durability and wide-range LED operating temperature +120F to -20F
- Chromatically stable 5700K, LM 80 Tested, ETL Listed IP-65 wet location (non-submersive)
- Suggested Mounting Height: 12' - 16'
- Weight: 3.75 lbs.



OPTICAL HEIGHT = 13'  
6' BETWEEN AXIS TICK-MARKS  
TILT = 0° FROM NADIR



The following shows the cost of illuminating this fixture an average of 12 hours a day for 365 days a year.

$32.94 \text{ Watt} \times 4,380 \text{ YKWH} \times \$0.09/\text{KWH}$   
1,000

**\$12.98**  
Yearly Operating Cost per fixture

Security Lighting  
Downlight  
Entrances  
Walkways  
Loading Docks  
Garage  
Warehouses  
Self-Storage Buildings  
Retail Buildings

**APPLICATION**



\*non-submersible