

# WALL PACK LED LIGHT

LW15-BRZ-110-00

FULL WALL PACK LED LIGHT, 15-WATT, BRONZE

LW15-WHA-110-00

FULL WALL PACK LED LIGHT, 15-WATT, WHITE



**LUMENS = 1,320**

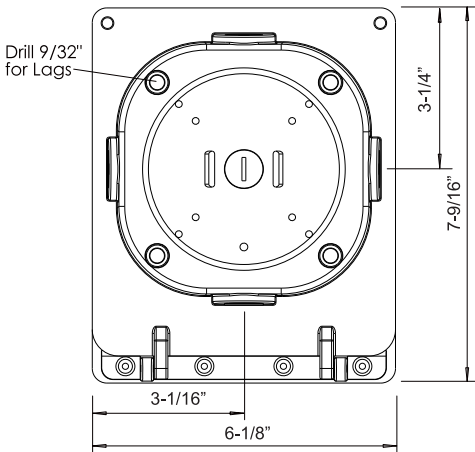
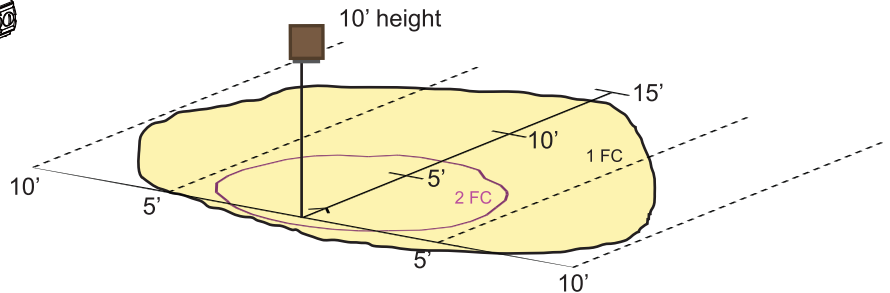
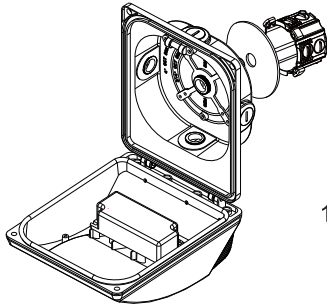
**REPLACES: 50W MH LAMP**

**RATED LIFE = 50k + Hours**

## FEATURES



- Built-in level for one hand installation
- Traditional clamshell design for quick installation
- UV stabilized impact resistant polycarbonate lens
- Powder coated, heat sink cast aluminum housing
- Concealed fastener for improve aesthetics' and theft prevention
- Long life 50,000+ hours LED's to reduce maintenance cost/replacements
- Silicone seals for durability and wide-range LED operating temperature +120F to -20F
- Chromatically stable 5700K, LM 80 Tested, ETL Listed IP-65 wet location (non-submersive)
- Suggested Mounting Height: 8' - 12'
- Weight: 3.75 lbs.



OPTICAL HEIGHT = 8.2'  
5' BETWEEN AXIS TICK-MARKS  
TILT = 0° FROM NADIR

## APPLICATION

- Security Lighting
- Downlight
- Entrances
- Walkways
- Loading Docks
- Garage
- Warehouses
- Self-Storage Buildings
- Retail Buildings

The following shows the cost of illuminating this fixture an average of 12 hours a day for 365 days a year.

15.38 Watt x 4,380 YKWH x \$.09/KWH

1,000

**\$6.06**

Yearly Operating Cost per fixture



\*non-submersible



Available from Major Electronix | sales@majorelectronix.com | 800-966-2345 | www.productsforautomation.com