

PIN-BASE  
RETROFITS



## PL RETROFITS



omni-  
directional ->  
lamp



- > Compatible with G24d (2-pin) & G24q (4-pin) sockets.
- > Available in 2700K, 3500K, 4000K & 5000K color temperatures.
- > Compact size allows it to fit in more applications.
- > For use in recessed & semi-enclosed fixtures only.
- > Not for use in enclosed fixtures.



ALSO WORKS  
ON 208V & 240V



INSTALL  
METHOD



BASE TYPE



MOUNTING



BEAM ANGLE



CRI



-40°F TO 104°F

OPERATING  
TEMP



50,000hrs  
RATED LIFE

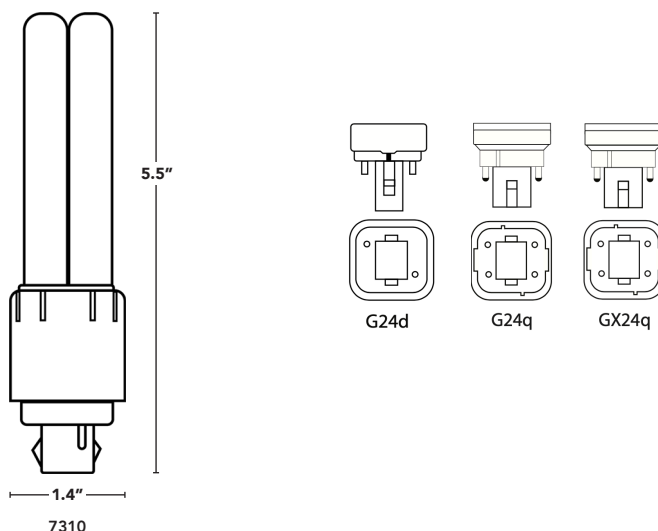
| PART #          | UPC          | REPLACES      | WATTAGE | LUMENS | COLOR (K) | BASE      |
|-----------------|--------------|---------------|---------|--------|-----------|-----------|
| LED-7310-27K-G3 | 844006055615 | Up to 32W CFL | 7W      | 890    | 2700K     | G24d/G24q |
| LED-7310-35K-G3 | 844006055639 | Up to 32W CFL | 7W      | 949    | 3500K     | G24d/G24q |
| LED-7310-40K-G3 | 844006055646 | Up to 32W CFL | 7W      | 970    | 4000K     | G24d/G24q |
| LED-7310-50K-G3 | 844006055653 | Up to 32W CFL | 7W      | 990    | 5000K     | G24d/G24q |



Available from Major Electronix | [sales@majorelectronix.com](mailto:sales@majorelectronix.com) |  
800-966-2345 | [www.productsforautomation.com](http://www.productsforautomation.com)



# TYPE A/B 2-PIN PL LAMPS



| PART #          | UPC          | REPLACES      | WATTAGE | LUMENS | COLOR (K) | BASE      |
|-----------------|--------------|---------------|---------|--------|-----------|-----------|
| LED-7310-27K-G3 | 844006055615 | Up to 32W CFL | 7W      | 890    | 2700K     | G24d/G24q |
| LED-7310-35K-G3 | 844006055639 | Up to 32W CFL | 7W      | 949    | 3500K     | G24d/G24q |
| LED-7310-40K-G3 | 844006055646 | Up to 32W CFL | 7W      | 970    | 4000K     | G24d/G24q |
| LED-7310-50K-G3 | 844006055653 | Up to 32W CFL | 7W      | 990    | 5000K     | G24d/G24q |

🇨🇦 347 VOLT OPTIONS FOR CANADA 🇨🇦

| PART #          | UPC          | REPLACES      | WATTAGE | LUMENS | COLOR (K) | BASE      |
|-----------------|--------------|---------------|---------|--------|-----------|-----------|
| LED-7310-27C-G3 | 844006055660 | Up to 32W CFL | 7W      | 890    | 2700K     | G24d/G24q |
| LED-7310-35C-G3 | 844006055677 | Up to 32W CFL | 7W      | 949    | 3500K     | G24d/G24q |
| LED-7310-40C-G3 | 844006055684 | Up to 32W CFL | 7W      | 970    | 4000K     | G24d/G24q |