

SMART LEVEL 2 ELECTRIC VEHICLE CHARGER W/ LCD SCREEN, RFID, OCPP NETWORKED

P80



Offering up to 80A charging power w/ built-in ampUp PRO software. Perfect EV charging solution for multi-unit housing, commercial, retail or municipal properties. Pedestals and mounting options are all made in the USA.

- ▶ 4G LTE or Ethernet Communication utilizing OCPP 1.6J (Open Charge Point Protocol) cloud based EV charging management software.
- ▶ Includes ampUp PRO cloud based management software and mobile apps.
- ▶ 80A/19.2 kW max output, can be adjusted down to 16A. (see pg. 2 for details)
- ▶ High brightness 4.3in LCD display.
- ▶ RFID card reader for user authentication (requires enabling).
- ▶ 18 ft cable set included.

ampUp pro included
ampup.io

multiple mounting options — see pg 3

ANALYTICS & REPORTING
DRIVER RESERVATIONS
DRIVER RFID CARD

LOCATION ACCESS CONTROL
DRIVER ACCESS GROUPS
TIME-BASED ACCESS CONTROL

SESSION LIMITS & IDLE FEES
REVENUE COLLECTION & DIRECT DEPOSIT
TIERED PRICING

TIME-OF-USE RATES
MULTI-SITE MANAGEMENT
MULTI-USER ACCOUNT

ADVANCED LOAD MANAGEMENT
DRIVER & HOST SUPPORT
REMOTE TROUBLESHOOTING



ALL-IN-ONE KIT (INCLUDES CHARGER W/ 18 FT, 80A CABLE SET)

PART #	CHRG AMPS	CONNECTOR	NETWORK	USER INTERFACE	OCPP SOFTWARE	UNIT DIMENSIONS
EVC-L2-P80-18-AP1	UP TO 80A	SAE J1772	ETHERNET/ RFID/4G	LCD DISPLAY	1YR AMPUP PRO	9.8" x 13.8" x 5.1"
EVC-L2-P80-18-AP5					5YR AMPUP PRO	

IN STOCK - SEPTEMBER 2023

* 5 YEAR EXTENDED WARRANTY AVAILABLE. CONTACT SALES REPRESENTATIVE



06.20.23 Information is subject to change without notice.



PART #	DESCRIPTION	QTY
EVC-L2-P80-18-AP1	80A MAX CHARGER, SCREEN, RFID, 4G CELLULAR, WALL-MNT, AMPUP PRO 1YR PLAN	2
EVC-L2-ACC-CM	CABLE MANAGEMENT FOR PEDESTAL W/ 2 RETRACTORS	1
EVC-L2-ACC-SSB	BRACKET FOR SIDE-BY-SIDE CHARGERS	1
EVC-L2-ACC-LPK2	LOWER PEDESTAL KIT	1



PART #	DESCRIPTION	QTY
EVC-L2-P80-18-AP1	80A MAX CHARGER, SCREEN, RFID, 4G CELLULAR, WALL-MNT, AMPUP PRO 1YR PLAN	1
EVC-L2-ACC-LPK2	LOWER PEDESTAL KIT	1

PART #	DESCRIPTION	PART #	DESCRIPTION
PEDESTALS / ACCESSORIES			
EVC-L2-ACC-LPK2	LOWER PEDESTAL KIT FOR L2 CHARGER	EVC-L2-ACC-CM	CABLE MGMT FOR PEDESTAL W/ 2 RETRACTORS
EVC-L2-ACC-SSB	BRACKET FOR SIDE-BY-SIDE CHARGERS	EVC-L2-ACC-CM1	CABLE MGMT FOR PEDESTAL W/ 1 RETRACTOR
EVC-L2-ACC-ANCHOR KIT WET	WET CONCRETE ANCHOR KIT	EVC-L2-ACC-CMR	CABLE RETRACTOR W/ SPRING LOADED TETHER
EVC-L2-ACC-MAKE READY BASE	CHARGING STATION FOUNDATION	EVC-L2-ACC-HAD	HOOK/HOLSTER FOR FOR WALL MOUNTING

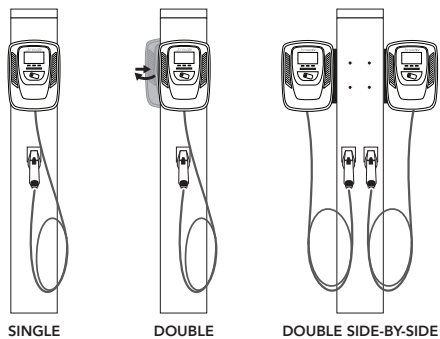
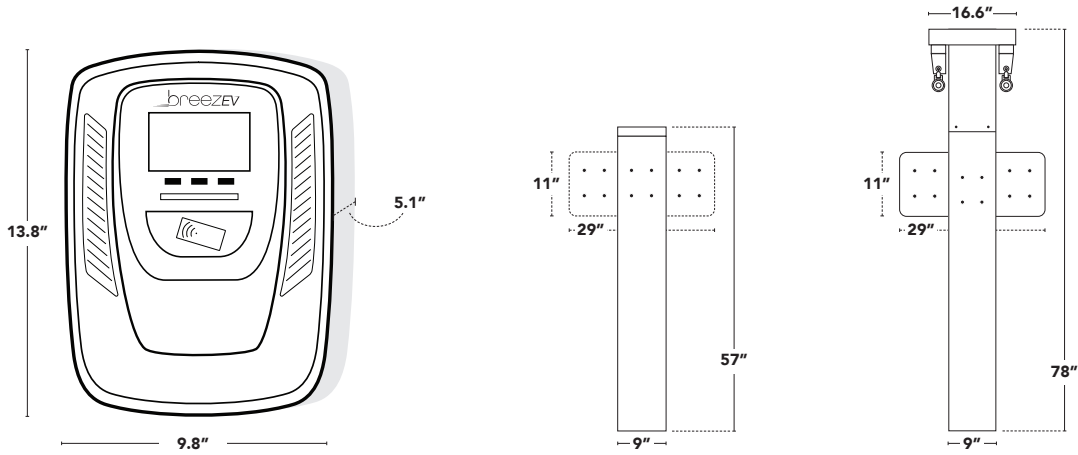
ELECTRICAL PROTECTIONS INCLUDED

OVER CURRENT	UNDER VOLTAGE / OVER VOLTAGE	SHORT CIRCUIT	GROUND FAULT
RESIDUAL CURRENT	SURGE PROTECTION	OVER TEMPERATURE	CURRENT LEAKAGE PROTECTION

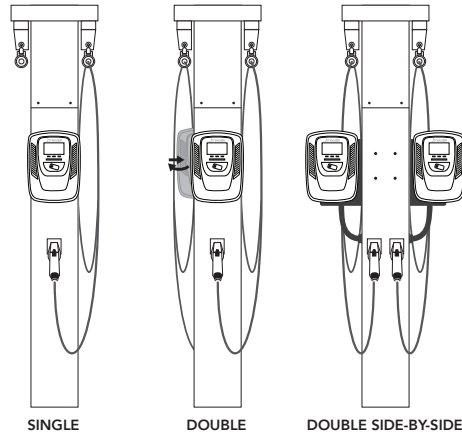
AMPERAGE OPTIONS - SWITCH POSITIONS

POSITION 0	POSITION 1	POSITION 2	POSITION 3	POSITION 4	POSITION 5	POSITION 6	POSITION 7	POSITION 8	POSITION 9
8A	16A	24A	32A	40A	48A	56A	64A	72A	80A

AMPERAGE BELOW 16A NOT RECOMMENDED

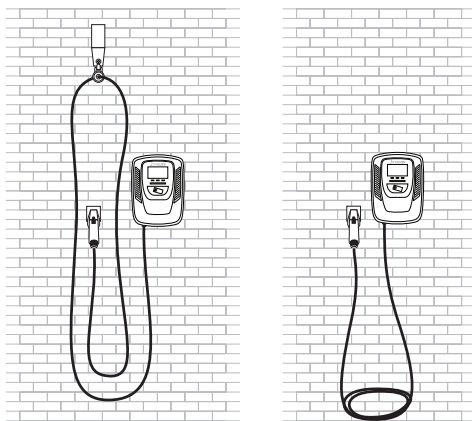


SINGLE DOUBLE DOUBLE SIDE-BY-SIDE
BASIC PEDESTAL



SINGLE DOUBLE DOUBLE SIDE-BY-SIDE
CABLE MGMT PEDESTAL

↔ BACK-TO-BACK MOUNTED CHARGERS



W/ CMR (RETRACTOR) W/O CMR (RETRACTOR)
WALL MOUNT

ask about custom branding →

