

## Ultra Slim **LED Troffer**

**2 ft. x 2 ft.**  
**2 ft. x 4 ft.**

**PLEASE REVIEW THE INSTRUCTIONS AND WARNINGS LISTED BELOW PRIOR TO PROPER INSTALLATION**

WARNINGS	CAUTIONS
<ul style="list-style-type: none"> <li>Risk of fire / electrical shock .</li> <li>LED Panel installation requires knowledge of luminaire electrical systems.</li> <li>Risk of electric shock – disconnect power at source before installation.</li> <li>Do not make or alter any open holes in an enclosure of wiring or electrical components during installation.</li> <li>If lamp or luminaire exhibits abnormal operation (buzzing, flickering, minimal light, etc.), turn off power, remove luminaire and contact us.</li> </ul> <p>For more information please visit <a href="http://www.eurilighting.com">www.eurilighting.com</a> or call our toll-free number 1-888-743-5766.</p>	<ul style="list-style-type: none"> <li>Do not look directly at the operating LED Panel.</li> <li>Do not touch this product with wet hands.</li> <li>Do not disassemble, repair or alter lamp.</li> <li>Designed for indoor applications only.</li> <li>Suitable for damp locations.</li> <li>The luminaires should be grounded.</li> <li>This device is not intended for use with emergency exits or emergency lights.</li> <li>Please make sure the driver supply wiring is of adequate length and rating. Avoid any tension.</li> <li>Observe proper polarity when connecting power to driver. Unit must be grounded as per code. <b>L = Input Line or Hot, W = Neutral</b></li> <li>All connections should be according to NEC or any applicable local code.</li> <li>Wear gloves and safety glasses every time when working with the luminaire for installing, servicing or performing maintenance.</li> </ul>

### INSTALLATION INSTRUCTIONS

#### LED Troffer Mounting

##### STEP 1:

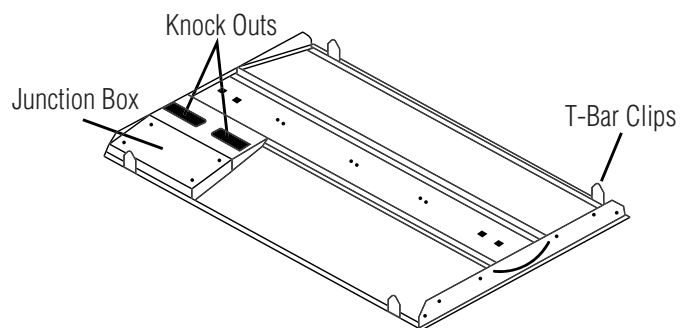
Install the four(4) supplied T-BAR clips into the mounting bracket on the outside of the housing.

##### STEP 2:

Put the troffer into the T-BAR Ceiling Panel and attach the clips on the housing onto the T-Bar

##### STEP 3:

Fix the safety cable at the back side of the house to the ceiling in case the troffer drop down



#### LED Troffer Wiring

1. Wire input end of the LED driver to supply wires using connector according to wiring section. Wire connections must be insulated.
2. Connect the BLACK/BROWN lead to LINE (+) supply lead.
3. Connect the WHITE/BLUE lead to NEUTRAL/Common(-) supply lead.
4. Connect the GREEN lead to GROUND supply lead.
5. If any, connect PURPLE/BLUE to 0-10V SIGNAL supply lead and GREY/WHITE to 0-10V NEUTRAL/REFERENCE supply lead.

#### WIRING DIAGRAM

