



LED EOL-WL11BRZ-1030e



Integrated Outdoor LED Wall Lantern W/Oil Rubbed Bronze Aluminum Die Cast & Frosted Glass Lens

Product Description

A Euri Lighting favorite, this LED wall lantern is built to withstand outdoor weather conditions, reduce energy consumption, and provide quality illumination for years. The cylinder shape in Oil Rubbed Bronze finish paired with the rectangular wall plate creates a handsome and rugged style. Available in welcoming Soft White (3000K), this LED lantern is perfect for any porch, patio or backyard.



Estimated Energy Cost: \$1.38 per year

*Note: Design, features and specifications subject to change without notice. Some features may not be available on all models. For more information please visit: www.eurilighting.com or call 1-888-743-5766



Integrated LED Fixture

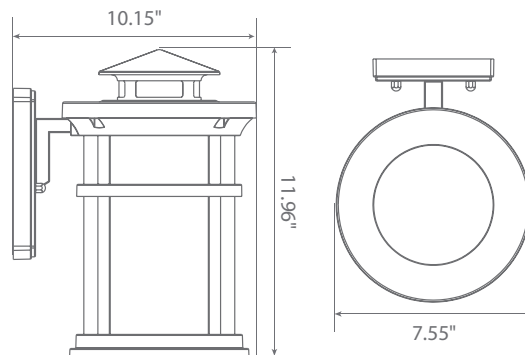
Specifications

Input Power	Input Voltage	Lumen Output	Beam Angle	Center Beam	CCT
11.5 W	120V/60Hz	1050 lm	110°	N/A	3000 K
CRI	Luminous Efficacy	Power Factor	Input Current	Base/Cap	Lamp Lifespan
80	91.3 lm/W	0.7	0.09 A	Direct Wiring	50,000 Hrs.

Product Features

- Non-Dimmable
- Instant-On/Off
- Mercury Free
- Wet Rated

Product Dimensions



Product Photometric Data

