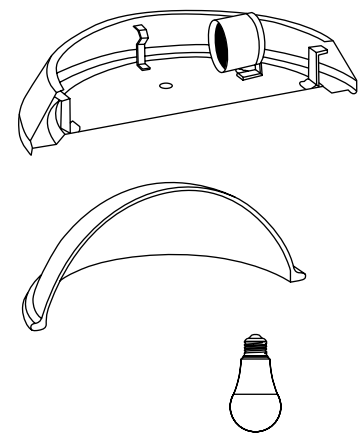
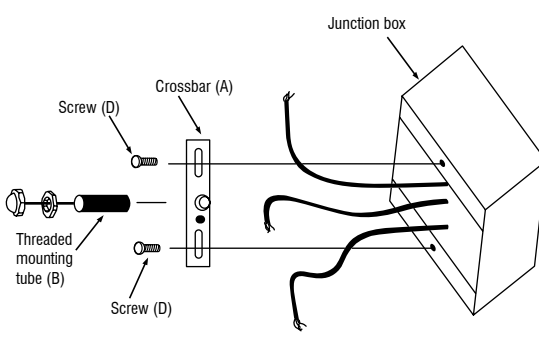


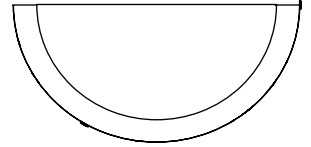
## Questions?

For customer service please call us at 1-888-743-5766  
Office Hours: 8:00 a.m. – 5:00 p.m. PST Monday-Friday

### PLEASE REVIEW THE INSTRUCTIONS AND WARNINGS LISTED BELOW PRIOR TO PROPER INSTALLATION

WARNINGS	CAUTIONS
<ul style="list-style-type: none"> <li>• Risk of fire / electrical shock, If not qualified, consult an electrician.</li> <li>• LED Fixture installation requires knowledge of luminaire electrical systems.</li> <li>• Before attempting to install or service, disconnect power at fuse or circuit breaker.</li> <li>• Disconnect power and allow the fixture to cool before changing the bulb or handling fixture.</li> <li>• If lamp or luminaire exhibits abnormal operation (buzzing, flickering, minimal light, etc.), turn off power, remove lamp and contact us. For more information please visit <a href="http://www.eurilighting.com">www.eurilighting.com</a> or call our toll-free number 1-888-743-5766.</li> </ul>	<ul style="list-style-type: none"> <li>• Do not look directly at the operating LED Module.</li> <li>• Connect the fixture to a 120-volt, 60Hz power source (any other connections void warranty).</li> <li>• Do not touch this product with wet hands.</li> <li>• Do not disassemble, repair or alter lamp.</li> <li>• Designed for indoor applications only.</li> <li>• Suitable for damp locations.</li> <li>• The luminaires shall be grounded.</li> <li>• The installation of this fixture must be in accordance with the National Electric Code (NEC) and local building codes.</li> </ul>
PACKAGING CONTENTS	
<p>(1) Wall sconce (1) Glass shade (1) 9 Watt E26 LED Bulb (1) Parts bag</p> <p><b>Parts bag includes:</b></p> <p>A. (1) Crossbar B. (1) Threaded mounting tube and cap nut C. (3) Wire connectors D. (2) Junction box mounting screws</p> <p><b>Tools required for assembly:</b></p> <ul style="list-style-type: none"> <li>• Phillips screwdriver</li> <li>• Flathead screwdriver</li> <li>• Silicone caulking (not included)</li> </ul>	
INSTALLATION INSTRUCTIONS	
<p><b>Mounting the Crossbar</b></p> <ol style="list-style-type: none"> <li>1. Make sure the power is turned off at the main fuse/breaker.</li> <li>2. Mount crossbar (A) to the junction box using screws provided (D).</li> <li>3. Ensure the threaded mounting tube (B) is screwed into the crossbar with the threads showing on the backside of the crossbar.</li> </ol>	

\*Product may vary from illustrations depicted in the provided guide. Please proceed with caution. Installation by a qualified electrician is recommended.



**Questions?**

For customer service please call us at 1-888-743-5766  
Office Hours: 8:00 a.m. – 5:00 p.m. PST Monday-Friday

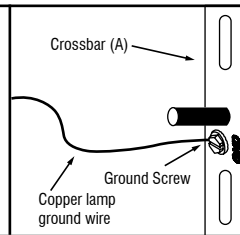
**PLEASE REVIEW THE INSTRUCTIONS AND WARNINGS LISTED BELOW PRIOR TO PROPER INSTALLATION**

**INSTALLATION INSTRUCTIONS**

**Wiring Your Fixture**

1. Connect the black house power wire (hot) to the black lamp fixture wire and secure it with a wire connector (C). (Figure 2)
2. Connect the white house power wire (neutral) to the white lamp fixture wire and secure it with a wire connector (C). (Figure 2)
3. Connect the copper lamp ground wire to an appropriate supply ground or a grounded junction box and secure with a wire connector (C). (Figure 2)

Note: If the fixture is mounted to a non-ferrous box, secure copper lamp ground wire to ground screw (labeled GND) on the crossbar (A) as shown:

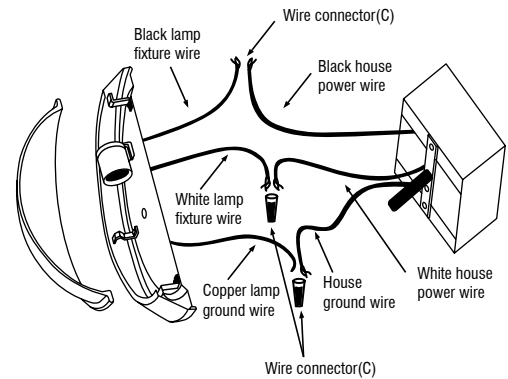


4. After all, wires are secure, align the threaded mounting tube (B) with the hole on the back of the fixture. Attach the fixture using the threaded mounting tube cap nut (B). (Figure 3)
5. To help maintain a weather-resistant seal, add silicone caulk where the back of the fixture meets the wall surface.

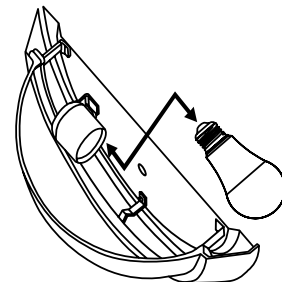
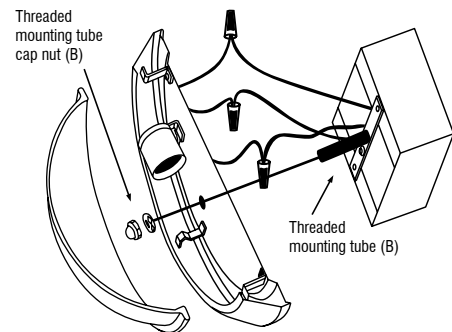
**Installing the Bulb**

1. Put the LED bulb into the wall sconce and straight to the socket.
2. Twist the LED bulb into the socket until it is tight.

**FIGURE 2**



**FIGURE 3**



\*Product may vary from illustrations depicted in the provided guide. Please proceed with caution. Installation by a qualified electrician is recommended.