

# LED DLC4-1050e

Part #: EFDLC4DM/B/13W/800/95D/50K/E26/E Bulb Class: Fixed Recessed



## Product Description

**LED** DLC4-1050e recessed downlight replaces conventional 75 Watt incandescent bulbs delivering more brightness (lumens) for less energy (Watts). Its dynamic design allows compatibility with 4" cans, as well as reduction of internal bulb heat, providing greater durability and constant fixture performance. Enjoy features such as instant on, dimming options, shatter resistance, mercury free, and True Color (90+ CRI).



**Estimated Energy Cost:** \$1.56 per year

\*Note: Design, features and specifications subject to change without notice. Some features may not be available on all models. For more information regarding dimmer compatibility please visit: [www.eurilighting.com](http://www.eurilighting.com) or call 1-888-743-5766

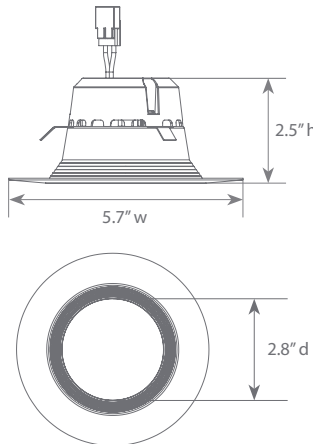
## Specifications

Input Power	Input Voltage	Lumen Output	Beam Angle	Center Beam	CCT
13 W	120 V	800 lm	95°	332 cd	5000 K
CRI	Luminous Efficacy	Power Factor	Input Current	Base/Cap	Lamp Lifespan
90+	61 lm/W	0.9	0.1 A	E26 adapter	50,000 Hrs.

### Product Features

- Dimmable
- Instant-On/Off
- Mercury Free
- Energy Efficient

### Product Dimensions



### Product Photometric Data

