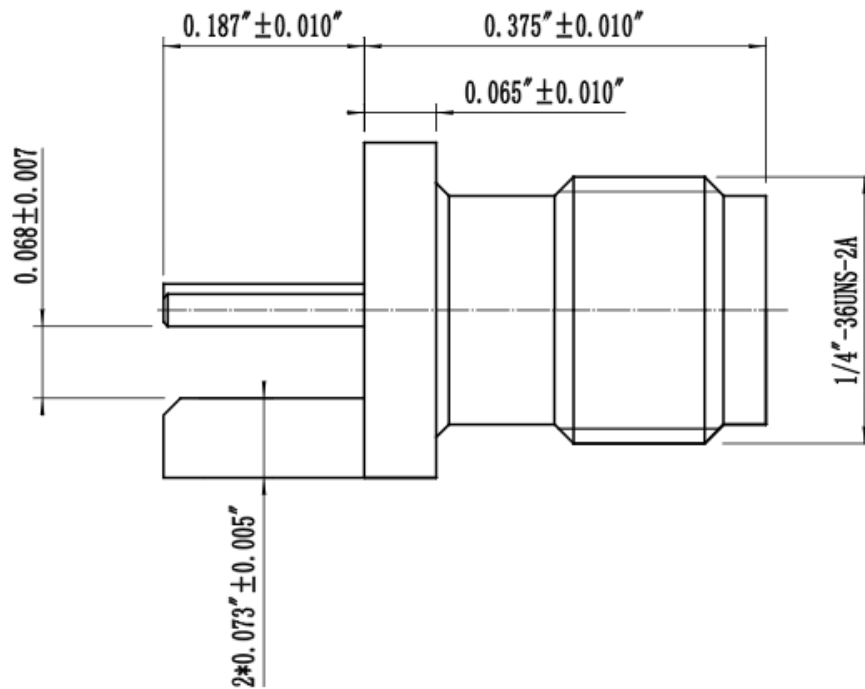
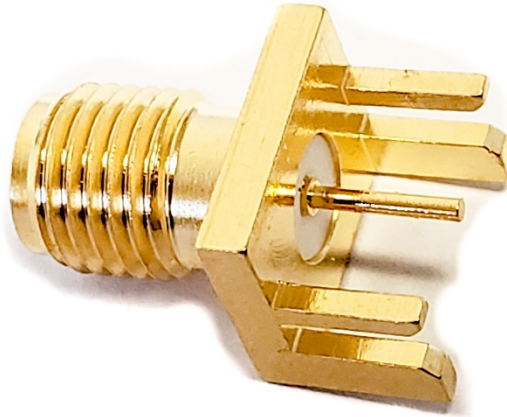
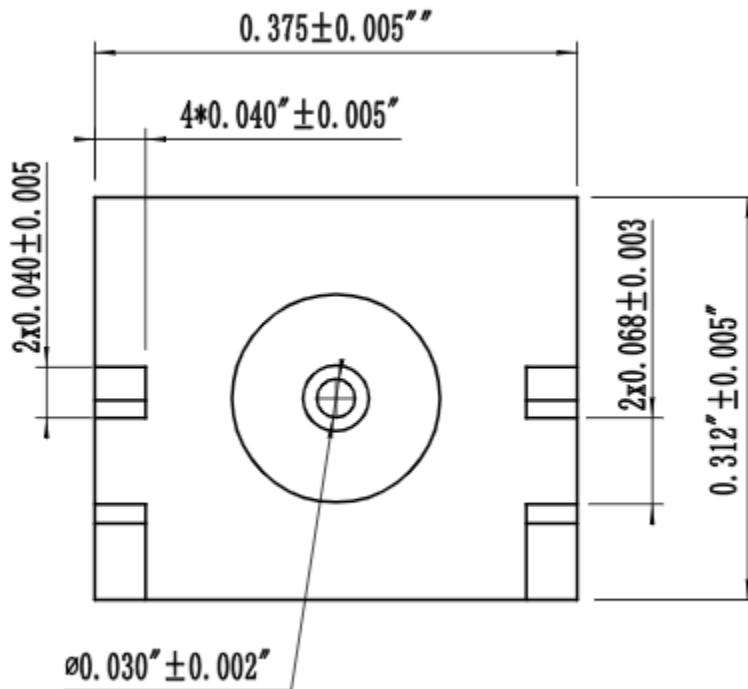


BU-1420701801

(Low Loss PCB Edge Mount SMA Jack with Round Contact)





(Dimensions in inches, Panel Mount)

- Low VSWR Board Edge, end launch mounting
- Designed to mount on 0.062" (1.57mm) Circuit Boards
- Impedance: 50 Ohms
- Frequency Range: DC to 18 Ghz
- VSWR: 1.35 @ 10 Ghz with LMR-100 Cable
- Working Voltage: 335 VRMS Max
- Dielectric withstanding Voltage: 1000 Vrms
- Contact Resistance at center contact: 3.0 milliohms
- Insertion Loss: 0.18 dB Maximum
- Material:
 - Body: "1U" Gold plated Brass
 - Contact: "5U" Gold plated Beryllium Copper
 - Insulator: Teflon
- Meets or exceeds the applicable paragraph of Mil-C-39012
- Operating Temperature: -65°C (-85°F) to 150°C (302°F)
- RoHS 3 Compliant