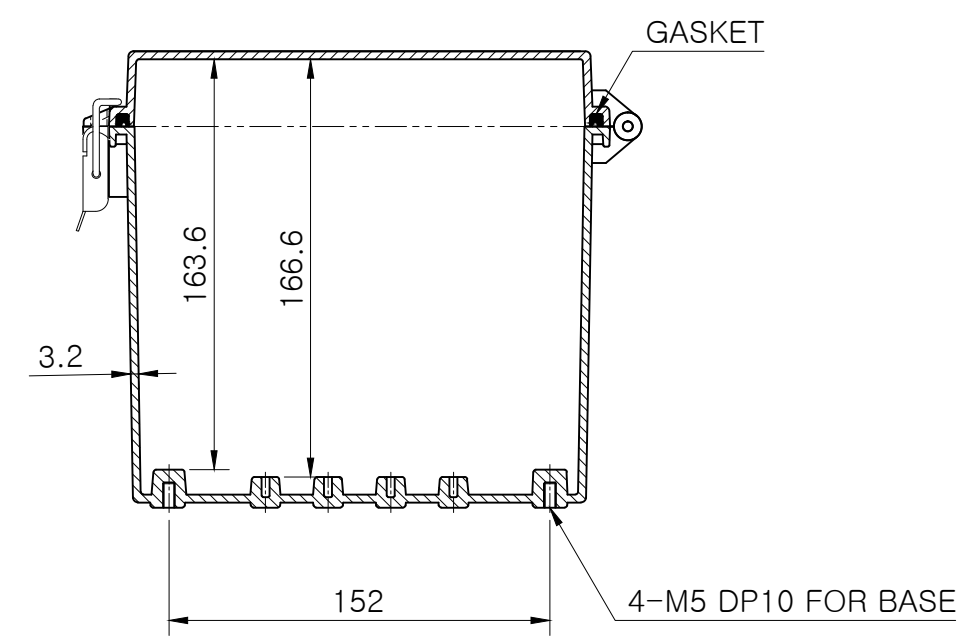
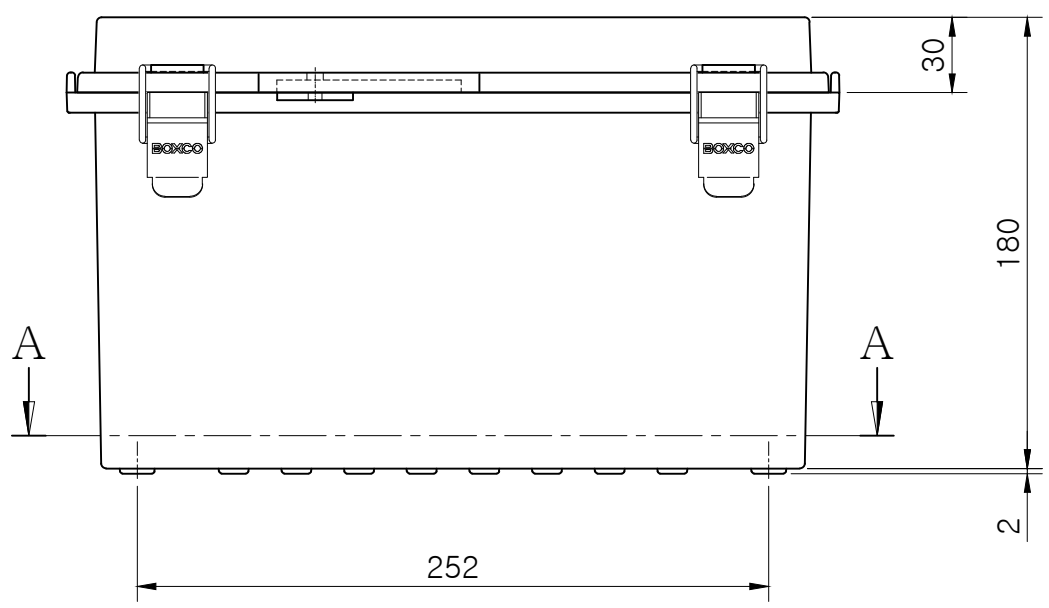


SECTION A-A



SECTION B-B

Note.

MODEL (모델)	BC-□□P-203018	D R (재도)	JUNG, Y.J.	16.04.12	UNIT (단위)	mm
ASSY (완성 규격)	200 * 300 * 180	C K (검도)	PARK, Y.J.	16.04.12	SCALE (척도)	1:3
DWG NO (도번)	P-203018-03	A P (승인)	KIM, D.S.	16.04.14	REV. (개정)	0
MATERIAL (재질)						

