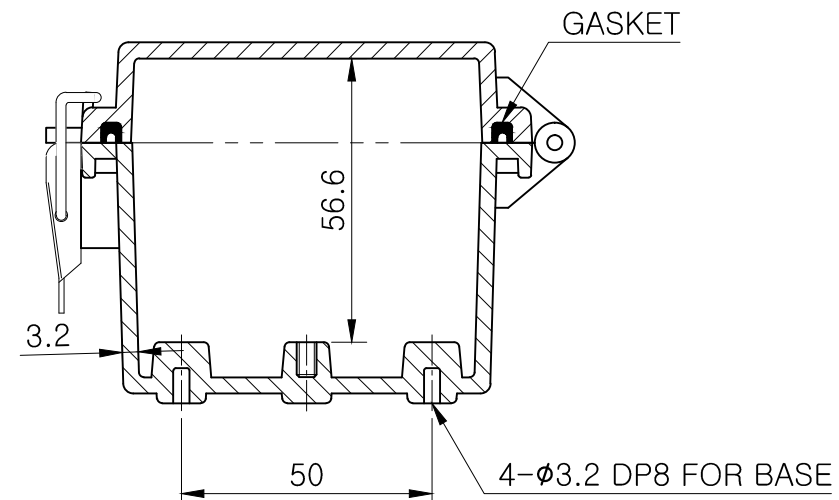
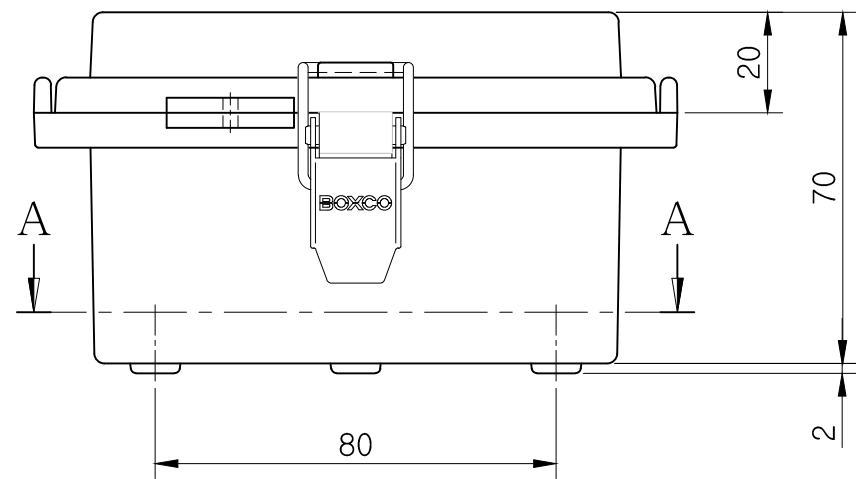


SECTION A-A



SECTION B-B

Note.

MODEL (모델) BC-□□P-091207

ASSY (완성 규격) 90 * 120 * 70

DWG NO (도번) P-091207-03

MATERIAL (재질)

D R (제도)	JUNG, Y.J.	16.03.16	UNIT (단위)	mm
C K (검도)	PARK, Y.J.	16.03.16	SCALE (척도)	1:1.5
A P (승인)	KIM, D.S.	16.03.18	REV. (개정)	0

BOXCO[®]