

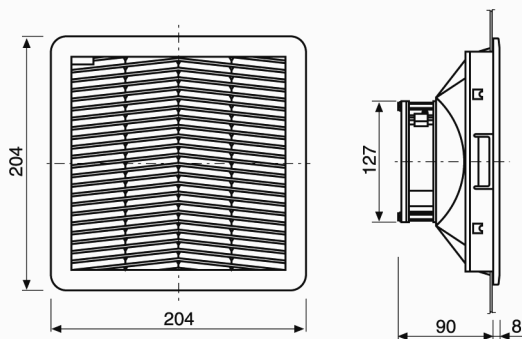
"FPF13K" SERIES FAN FILTERS

Description: **Fan Filter 115/230 Va.c.**

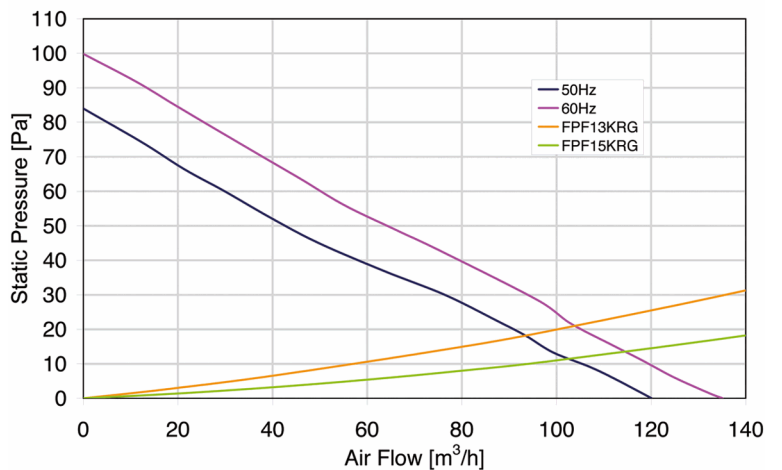
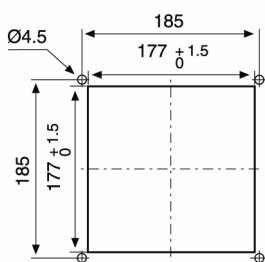


Type of material: ABS/PC alloy
Standard color: RAL 7032, RAL 7035 and RAL 9005 - other colors on request
Protection degree: IP54, according to EN 60529 Std Type 12, according to UL 508 Std
Fixing system: by elastic hooks, otherwise by four 4.8 mm self-threading screws
Plate thickness: from 1.5 mm to 2.2 mm
Storage temperature: from -40°C to +70°C
Motor Lifetime L10 at 40°C (approx.): 45,000 h
Motor protection: impedance
Electrical connection: by terminal block 3 poles L-N-PE
Earth connection: (by terminal block, PE pole)
Appliance class: Class I
Type of filter media: thermo-linked progressive structure synthetic fibre
Filtering class: class G3, according to EN 779
Degree of separation: 85% - DIN 24185
Dust retention capacity: 600 g/m²
Note: filter media is washable for about 10 times
Weight: 1.1 Kg
Approvals: CE, UL E237844

technical drawing



mounting cut-out



Model	Voltage (V)	Frequency (Hz)	Rated Current (A)	Rated Power (W)	Max Air Flow** (m3/h)	Static Pressure (Pa)	Fan Noise [db(A)]	Rated Temp. Range (°C)	Approvals
FPF13K*115BE-110	115 V a.c.	50/60	0.200/0.160	17/15	120/135	84/100	46.0/50.0	-10 + +50	CE; cURus
FPF13K*115BER-110	115 V a.c.	50/60	0.200/0.160	17/15	120/135	84/100	46.0/50.0	-10 + +50	CE; cURus
FPF13K*230BE-110	230 V a.c.	50/60	0.100/0.090	23/21	120/135	84/100	46.0/50.0	-10 + +50	CE; cURus
FPF13K*230BER-110	230 V a.c.	50/60	0.100/0.090	23/21	120/135	84/100	46.0/50.0	-10 + +50	CE; cURus

* U = RAL 7035 R = RAL 7032 N = RAL 9005 **data with uncertainty of 15%

All specifications, data and drawing are subject to change without notice and are approximate. Please refer to our terms of sales including our warranty and limited liabilities clauses.