



TSW304

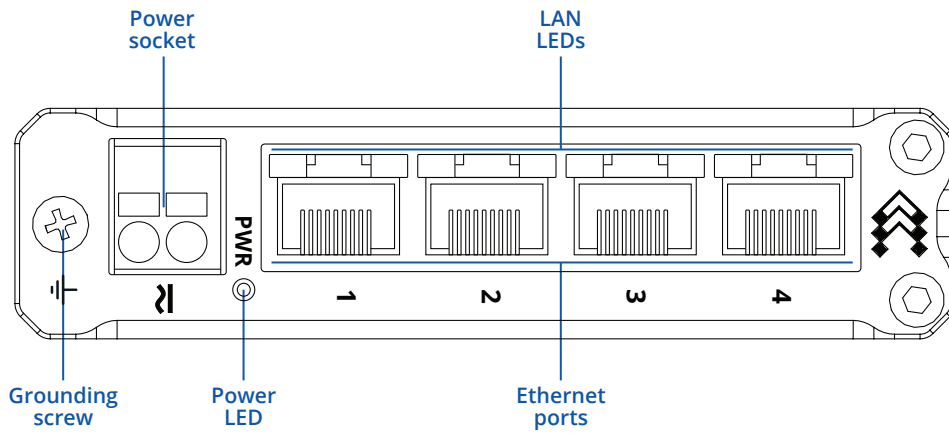


Available from Major Electronix | sales@majorelectronix.com | 800-966-2345 | www.productsforautomation.com

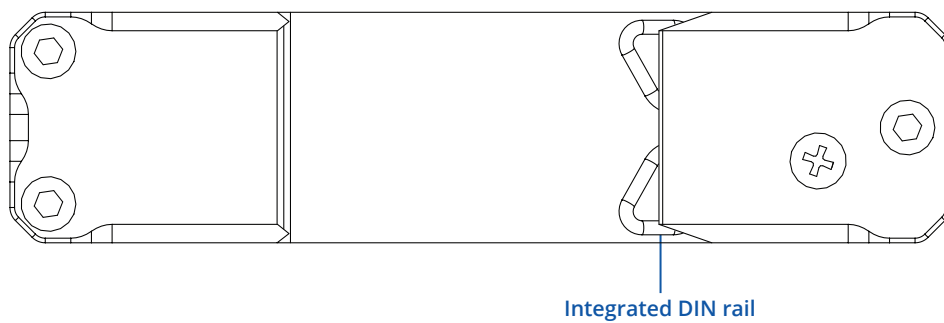
Copyright © 2022, TELTONIKA NETWORKS. Specifications and information given in this document are subject to change by TELTONIKA NETWORKS without prior notice.

HARDWARE

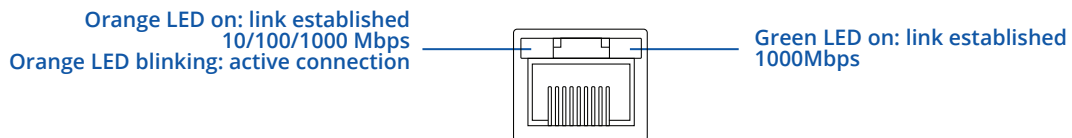
FRONT VIEW



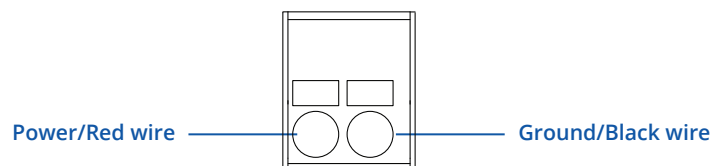
BACK VIEW



RJ45 LED MEANING



POWER SOCKET PINOUT



FEATURES

ETHERNET

LAN	4 x RJ45 ports, 10/100/1000 Mbps, compliance with IEEE 802.3, IEEE 802.3u, 802.3az standards, supports auto MDI/MDIX crossover
-----	--

PERFORMANCE SPECIFICATIONS

Bandwidth (Non-blocking)	8 Gbps
Packet buffer	128 KB
MAC address table size	2K entries
Jumbo frame support	9216 bytes

POWER

Connector	2-pin industrial power socket
Input voltage range	7 - 57 VDC; 9-40 VAC
PoE (passive)	Passive PoE. Possibility to power up through first LAN port, not compatible with IEEE802.3af, 802.3at and 802.3bt standards
Power consumption	Idle: 0.26 W / Max: 1.44 W

PHYSICAL INTERFACES (PORTS, LEDES, ANTENNAS, BUTTONS, SIM)

Ethernet	4 x RJ45 ports, 10/100/1000 Mbps
Status LEDs	1 x Power LED, 8 x LAN status LEDs
Power	1 x 2-pin industrial power socket
Grounding	1 x Grounding screw

PHYSICAL SPECIFICATION

Casing material	Anodized aluminum housing and panels
Dimensions (W x H x D)	102 x 25 x 81.5 mm
Weight	210 g
Mounting options	Integrated DIN rail bracket, flat surface placement

OPERATING ENVIRONMENT

Operating temperature	-40 °C to +75 °C
Operating humidity	10 % to 90 % non condensing
Ingress Protection Rating	IP30

CERTIFICATION & APPROVALS

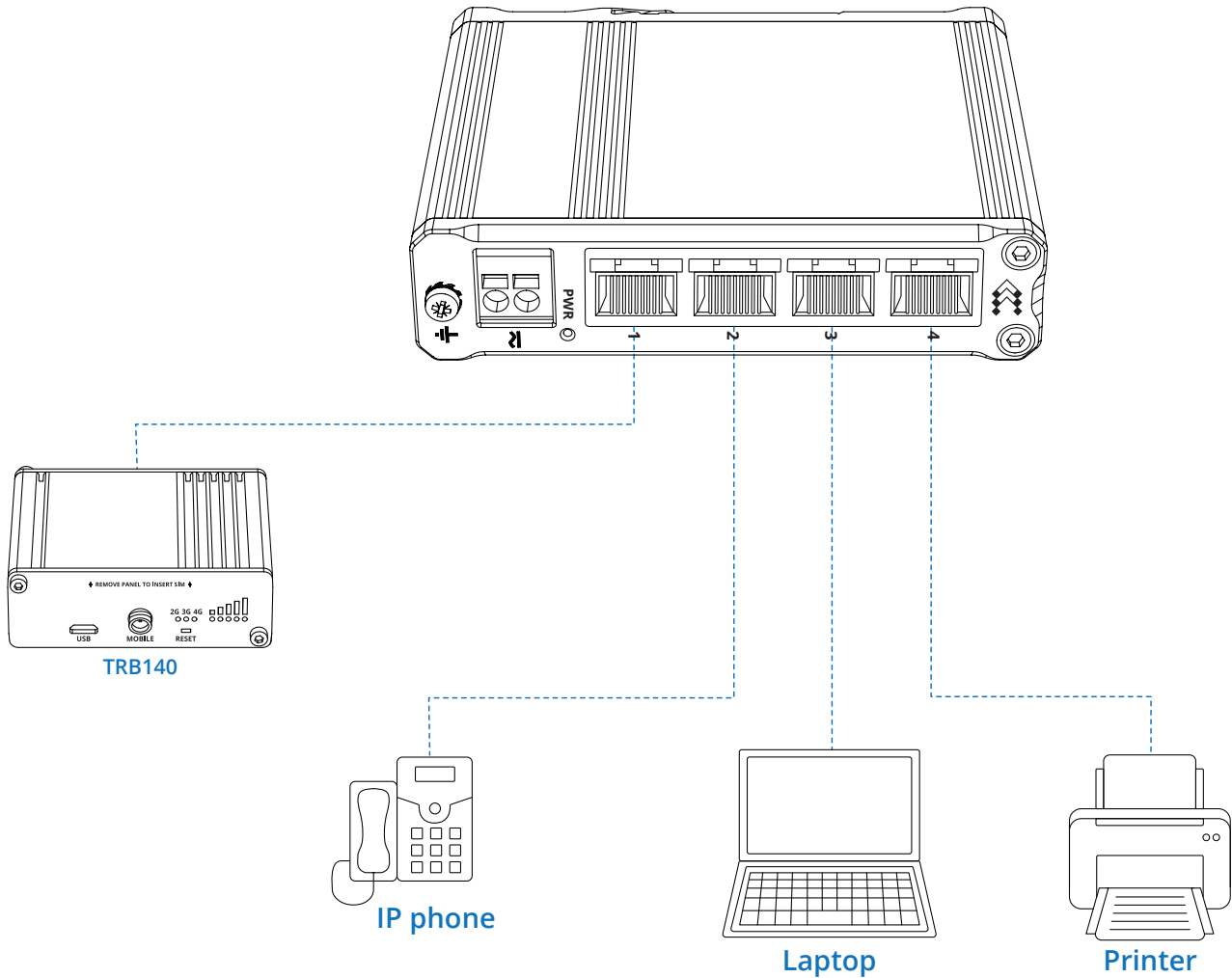
Regulatory	CE, REACH, RoHS, WEEE, UKCA, FCC, IC, CB, RCM
------------	---

SAFETY

Standards	EN IEC 62368-1:2020+A11:2020
-----------	------------------------------

HARDWARE INSTALLATION

1. Connect your main internet router/modem to TSW304.
2. Connect end devices to TSW304 1 to 4 port.
3. Connect 2 pin power plug to TSW304 to power up switch.



TECHNICAL INFORMATION

Technical specifications	
Input voltage range	7 - 57 VDC; 9-40 VAC
Max power consumption	1.44 W

WHAT'S IN THE BOX?

STANDARD PACKAGE CONTAINS

- TSW304
- QSG (Quick Start Guide)
- Packaging box



STANDARD ORDER CODES

PRODUCT CODE	HS CODE	HTS CODE	PACKAGE CONTAINS
TSW304 000000	851762	8517.62.00	Standard package

For more information on all available packaging options – please contact us directly.

TSW304 SPATIAL MEASUREMENTS & WEIGHT

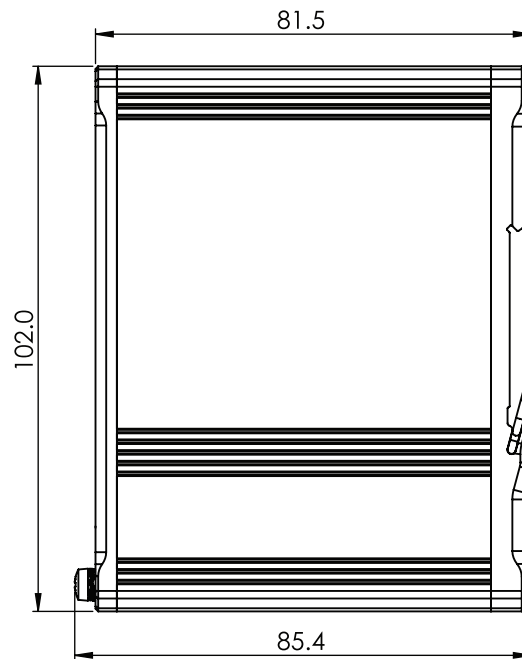
MAIN MEASUREMENTS

W x H x D dimensions for TSW304:

Device housing*:	102 x 25 x 81.5 mm
Box:	173 x 71 x 148 mm

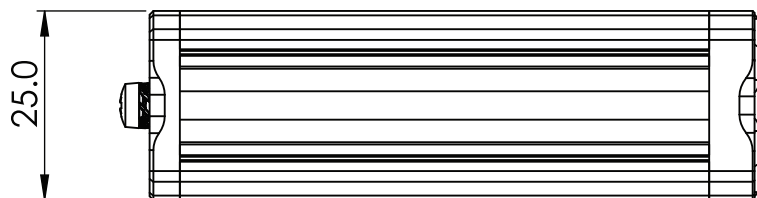
TOP VIEW

The figure below depicts the measurements of TSW304 and its components as seen from the top:



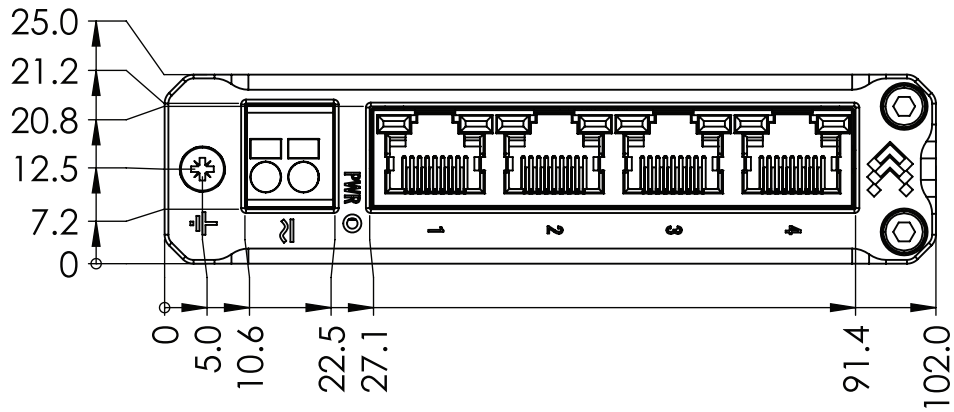
RIGHT VIEW

The figure below depicts the measurements of TSW304 and its components as seen from the right side:



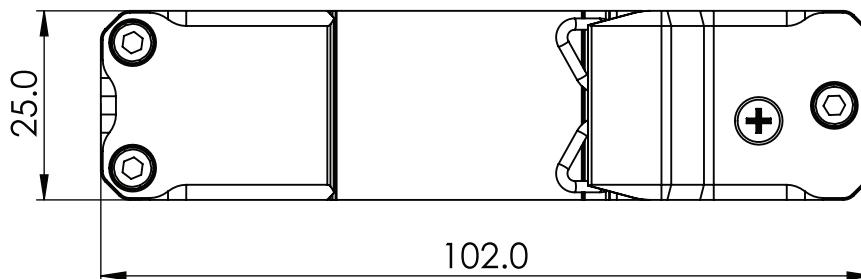
FRONT VIEW

The figure below depicts the measurements of TSW304 and its components as seen from the front panel side:



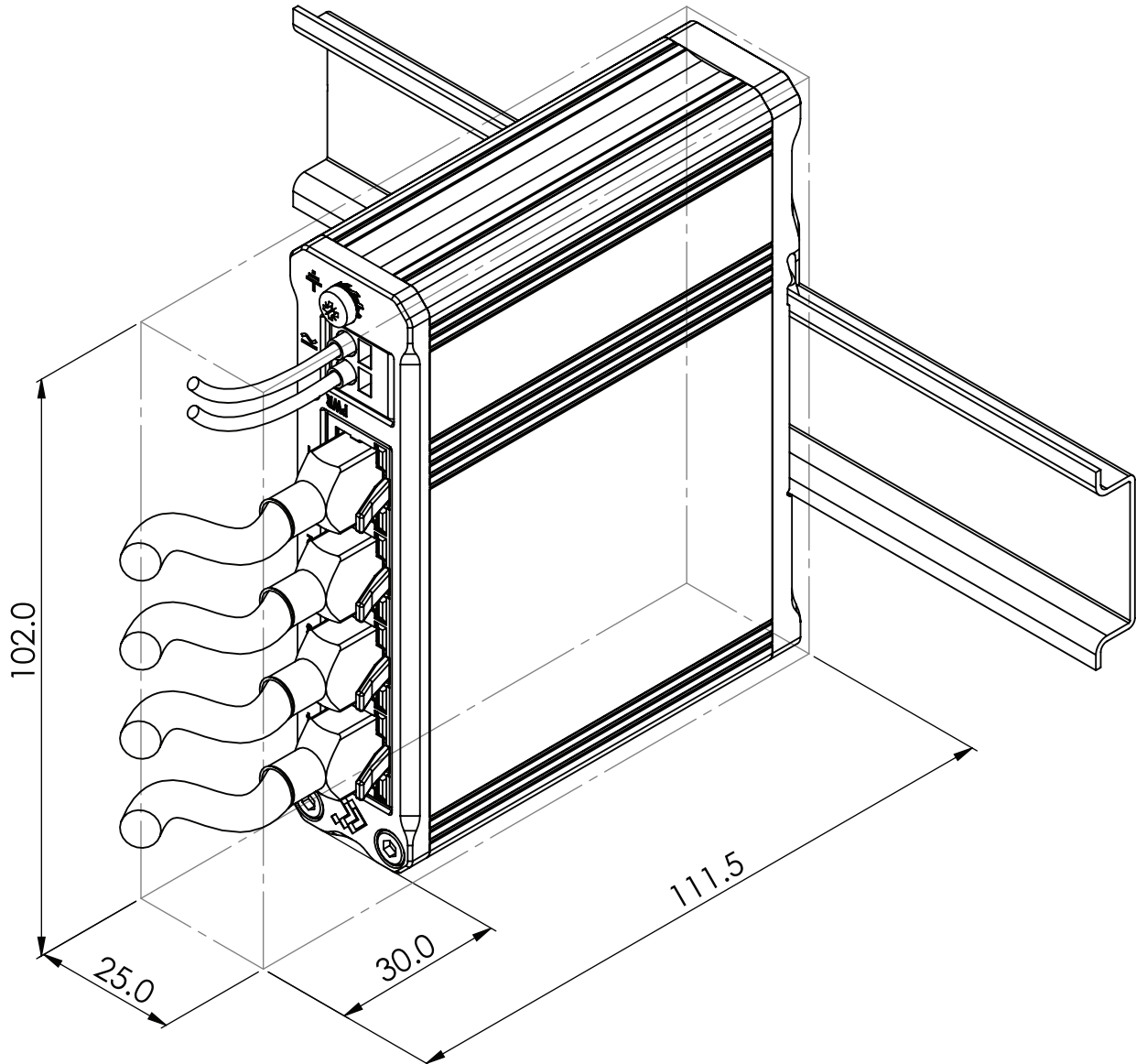
REAR VIEW

The figure below depicts the measurements of TSW101 and its components as seen from the back panel side:



MOUNTING SPACE REQUIREMENTS

The figure below depicts an approximation of the device's dimensions when cables and antennas are attached:



DIN RAIL

The scheme below depicts protrusion measurements of an attached DIN Rail:

