

# RP-SWL

LED SOLAR WALL PACK LIGHT | ALL-IN-ONE DESIGN



WARRANTY



CHARGE TIME



BATTERY LIFE



EFFICACY



5 MIN FAST MOUNTING



MOTION SENSOR PHOTOCELL



INGRESS PROTECTION



CRI



RATED LIFE

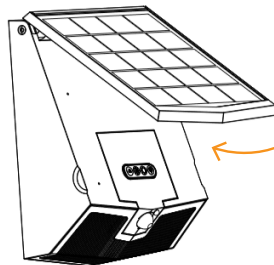
## easy light, no wiring

anti-theft installation

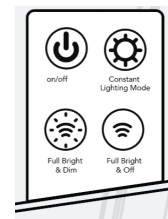


- 7W and 15W models available in 4000K
- All-in-one design, the solar panel and battery are built right into the LED fixture
- No need for wiring, these fixtures do not connect to any power feed
- The easiest way to bring lighting to walls on any commercial building
- Long life battery lasts 3 nights with a one day charge
- Advanced new LiFePO4 battery lasts at least 2000 charge cycles
- Three operating modes to choose from (see detail on page 2)
- -5°F to 113°F fixture operating temp
- 32°F to 149°F battery charging temp

motion sensor and photocell



adjust solar panel angle to maximize sunlight & allow snow to slide off



3 operating modes that are programmable via remote control or on fixture



PART #	UPC	COMPARABLE TO	WATTAGE	LUMENS	LPW	CCT (K)
RP-SWL-7W-40K-BK-G1	844006023645	UP TO 50W HID	7	700	100	4000
RP-SWL-15W-40K-BK-G1	844006023652	UP TO 100W HID	15	1500	100	4000

**RemPhos** by Light Efficient Design  
lighting on target

03.27.19 Information is subject to change without notice.

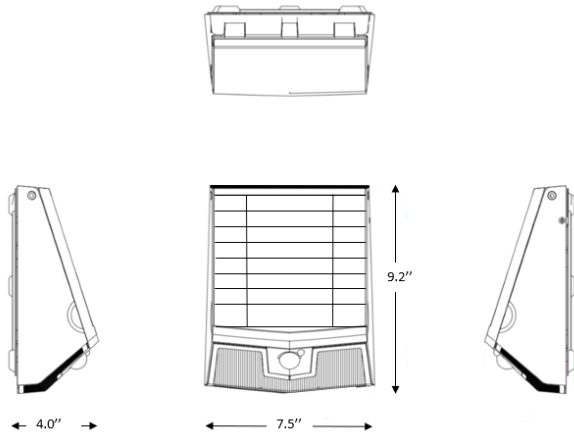
Available from Major Electronix | sales@majorelectronix.com | 800-966-2345 | www.productsforautomation.com

# RP-SWL

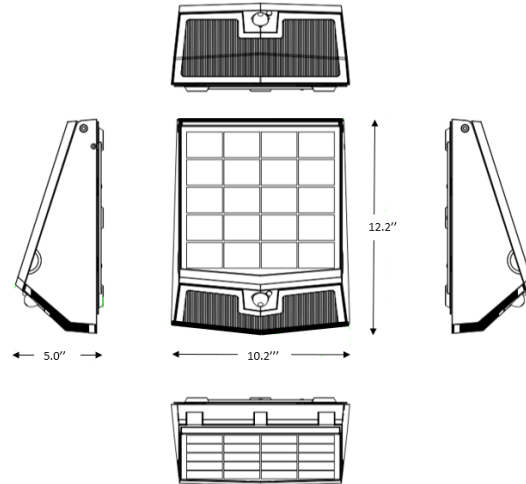
LED SOLAR WALL PACK LIGHT | ALL-IN-ONE DESIGN



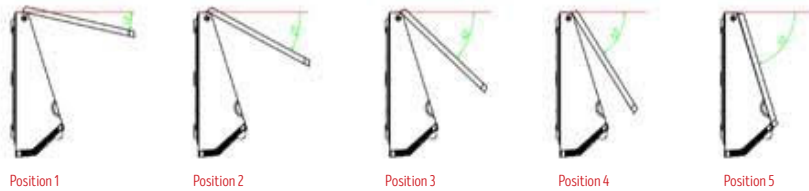
RP-SWL-7W-40K-BK-G1



RP-SWL-15W-40K-BK-G1



## ADJUSTABLE ANGLE DETAIL



### Relationship between the panel angle and latitudes:

If the latitude you are installing in is from 0° ~ 25°, the tilt angle should be placed in position 1

If the latitude is from 26° ~ 40° the tilt angle should be set to position 2 or 3

If the latitude is from 41° ~ 55° the tilt angle should be set to position 4

If the latitude is > 55° the tilt angle should be set at position 5

## OPERATING MODES

- The main light will automatically turn on at dusk and remain at 50% brightness when the motion sensor is disabled. After 5 hours or when the battery capacity is below 30%, the lamp will switch to Mode 3.
- The main light will automatically turn on to full brightness when motion is detected in the range of 24ft, it will turn off after 20 seconds when there is no motion detected. The bottom portion of the lamp will turn on automatically when the main light turns off and then turn off once motion is detected.
- The main light will turn on to full brightness when motion is detected in the range of 24ft. Once no motion is detected for 20 seconds, the lamp will turn off. The bottom portion of the lamp will not turn on in this mode.

## PART NUMBER BUILDER

MFR	PRODUCT	WATTAGE	COLOR	BRACKET	GEN
RP	SWL		40K	BK	G1

7W  
15W

## ORDERING EXAMPLE

RP-SWL-7W-40K-BK-G1

## ORDERING GUIDE

CASE QTY	QUICK SHIP	DLC	REMPHOS PART #	QUICK SHIP UPC CODE	LUMEN OUTPUT (LM)	WATTAGE (W)	LPW	WARRANTY (YRS)	RECOMMENDED MOUNTING HEIGHT (FT)
1	●	N/A	RP-SWL-7W-40K-BK-G1	844006023645	700	7	100	3	10-25FT
1	●	N/A	RP-SWL-15W-40K-BK-G1	844006023652	1500	15	100	3	10-25FT

**RemPhos** by Light Efficient Design  
lighting on target

03.27.19 Information is subject to change without notice.

Available from Major Electronix | sales@majorelectronix.com | 800-966-2345 | www.productsforautomation.com