

SMART LEVEL 2 ELECTRIC VEHICLE CHARGER W/ LCD SCREEN, RFID, OCPP NETWORKED



Offering up to 48A charging power w/ built-in ampUp PRO software. Perfect EV charging solution for multi-unit housing, commercial, retail or municipal properties. Pedestals and mounting options are all made in the USA.

- ▶ 4G LTE or Ethernet Communication utilizing OCPP 1.6J (Open Charge Point Protocol) cloud based EV charging management software.
- ▶ Includes ampUp PRO cloud based management software and mobile apps.
- ▶ 48A/11.2 kW max output, can be adjusted to 40A, 32A, or 16A.
- ▶ High brightness 4.3in LCD display.
- ▶ RFID card reader for user authentication (requires enabling).
- ▶ 40A & 48A cable sets are available in 12 FT, 18 FT & 25 FT lengths.

ampUp PRO INCLUDED

multiple mounting options — see pg 3

ANALYTICS & REPORTING
DRIVER RESERVATIONS
DRIVER RFID CARD

LOCATION ACCESS CONTROL
DRIVER ACCESS GROUPS
TIME-BASED ACCESS CONTROL

SESSION LIMITS & IDLE FEES
REVENUE COLLECTION & DIRECT DEPOSIT
TIERED PRICING

TIME-OF-USE RATES
MULTI-SITE MANAGEMENT
MULTI-USER ACCOUNT

ADVANCED LOAD MANAGEMENT
DRIVER & HOST SUPPORT
REMOTE TROUBLESHOOTING



ALL-IN-ONE KIT (INCLUDES CHARGER W/ 18 FT, 48A CABLE SET)

PART #	CHRG AMPS	CONNECTOR	NETWORK	USER INTERFACE	OCPP SOFTWARE	UNIT DIMENSIONS
EVC-L2-48A-L1-1-4G-D	UP TO 48A	SAE J1772	ETHERNET/ RFID/4G	LCD DISPLAY	1YR AMPUP PRO	9.8" x 13.8" x 5.1"

CHARGER ONLY (CABLES AND MOUNTING OPTIONS ON PAGE 2)

EVC-L2-48A-L1-1-4G-D-AU-P-1	UP TO 48A	SAE J1772	ETHERNET/ RFID/4G	LCD DISPLAY	1YR AMPUP PRO	9.8" x 13.8" x 5.1"
EVC-L2-48A-L1-1-4G-D-AU-P-5					5YR AMPUP PRO	

CONTACT US FOR BAA INFORMATION

* 5 YEAR EXTENDED WARRANTY AVAILABLE. CONTACT SALES REPRESENTATIVE

Light Efficient Design



03.27.23 Information is subject to change without notice.



Available from Major Electronix | sales@majorelectronix.com | 800-966-2345 | www.productsforautomation.com



PART #	DESCRIPTION	QTY
EVC-L2-48A-L1-1-4G-D-AU-P-1	48A MAX CHARGER, SCREEN, RFID, 4G CELLULAR, WALL-MNT, AMPUP PRO 1YR PLAN	2
EVC-L2-CBL-48A-L1-1-18X8	48A CABLE SET, 18 FT LENGTH, 8AWG	2
EVC-L2-ACC-CM	CABLE MANAGEMENT FOR PEDESTAL W/ 2 RETRACTORS	1
EVC-L2-ACC-SSB	BRACKET FOR SIDE-BY-SIDE CHARGERS	1
EVC-L2-ACC-LPK2	LOWER PEDESTAL KIT	1



PART #	DESCRIPTION	QTY
EVC-L2-48A-L1-1-4G-D-AU-P-1	48A MAX CHARGER, SCREEN, RFID, 4G CELLULAR, WALL-MNT, AMPUP PRO 1YR PLAN	1
EVC-L2-CBL-48A-L1-1-18X8	48A CABLE SET, 18 FT LENGTH, 8AWG	1
EVC-L2-ACC-LPK2	LOWER PEDESTAL KIT	1

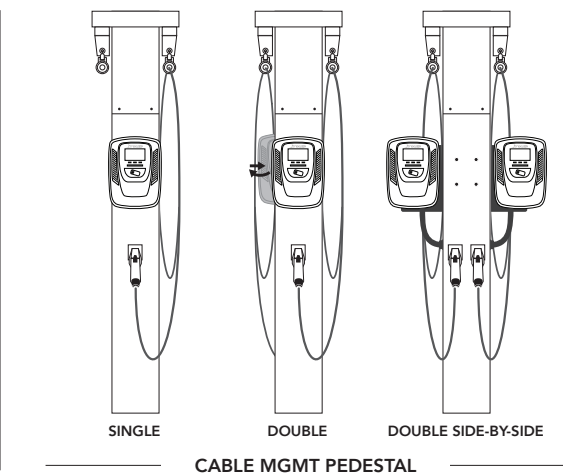
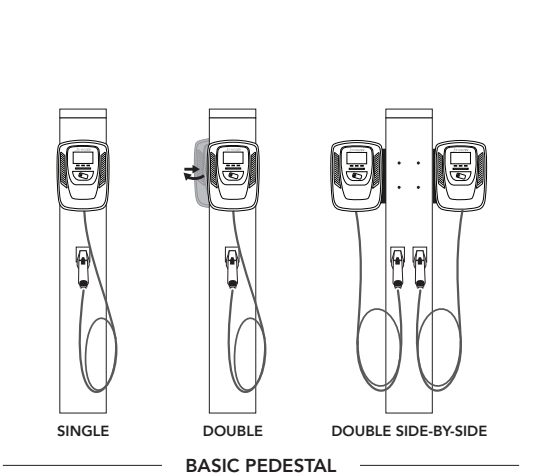
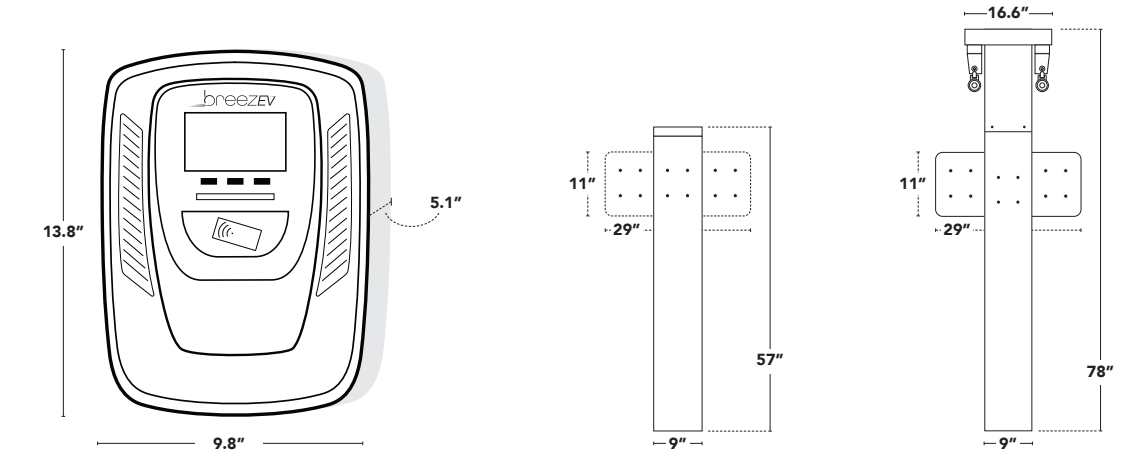
PART #	DESCRIPTION	PART #	DESCRIPTION
CABLE SETS			
EVC-L2-CBL-40A-L1-1-12x10	40A CABLE SET, 12 FT LENGTH, 10AWG	EVC-L2-CBL-48A-L1-1-12x8	48A CABLE SET, 12 FT LENGTH, 8AWG
EVC-L2-CBL-40A-L1-1-18x10	40A CABLE SET, 18 FT LENGTH, 10AWG	EVC-L2-CBL-48A-L1-1-18x8	48A CABLE SET, 18 FT LENGTH, 8AWG
EVC-L2-CBL-40A-L1-1-25x10	40A CABLE SET, 25 FT LENGTH, 10AWG	EVC-L2-CBL-48A-L1-1-25x8	48A CABLE SET, 25 FT LENGTH, 8AWG
PEDESTALS / ACCESSORIES			
EVC-L2-ACC-LPK2	LOWER PEDESTAL KIT FOR L2 CHARGER	EVC-L2-ACC-CM	CABLE MGMT FOR PEDESTAL W/ 2 RETRACTORS
EVC-L2-ACC-SSB	BRACKET FOR SIDE-BY-SIDE CHARGERS	EVC-L2-ACC-CM1	CABLE MGMT FOR PEDESTAL W/ 1 RETRACTOR
EVC-L2-ACC-ANCHOR KIT WET	WET CONCRETE ANCHOR KIT	EVC-L2-ACC-CMR	CABLE RETRACTOR W/ SPRING LOADED TETHER
EVC-L2-ACC-MAKE READY BASE	CHARGING STATION FOUNDATION	EVC-L2-ACC-HAD	HOOK/HOLSTER FOR FOR WALL MOUNTING

ELECTRICAL PROTECTIONS INCLUDED

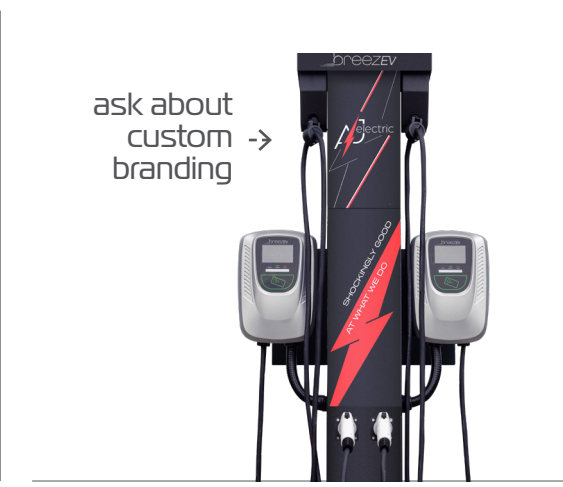
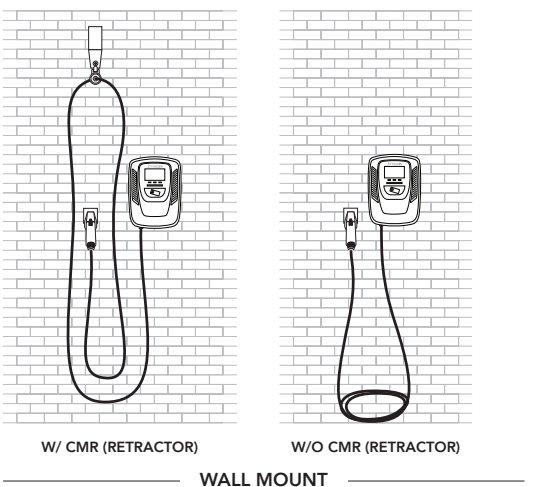
OVER CURRENT	UNDER VOLTAGE / OVER VOLTAGE	SHORT CIRCUIT	GROUND FAULT
RESIDUAL CURRENT	SURGE PROTECTION	OVER TEMPERATURE	CURRENT LEAKAGE PROTECTION

Light Efficient Design

847.380.3540 • led-llc.com • sales@led-llc.com



↔ BACK-TO-BACK MOUNTED CHARGERS



Light Efficient Design