

**EXP 215** (SHEET 1 OF 3)

REVISION: E  
 ECO NO.: 2991  
 DRAWN BY: J. KUSBEL  
 DATE: 12/04/2013

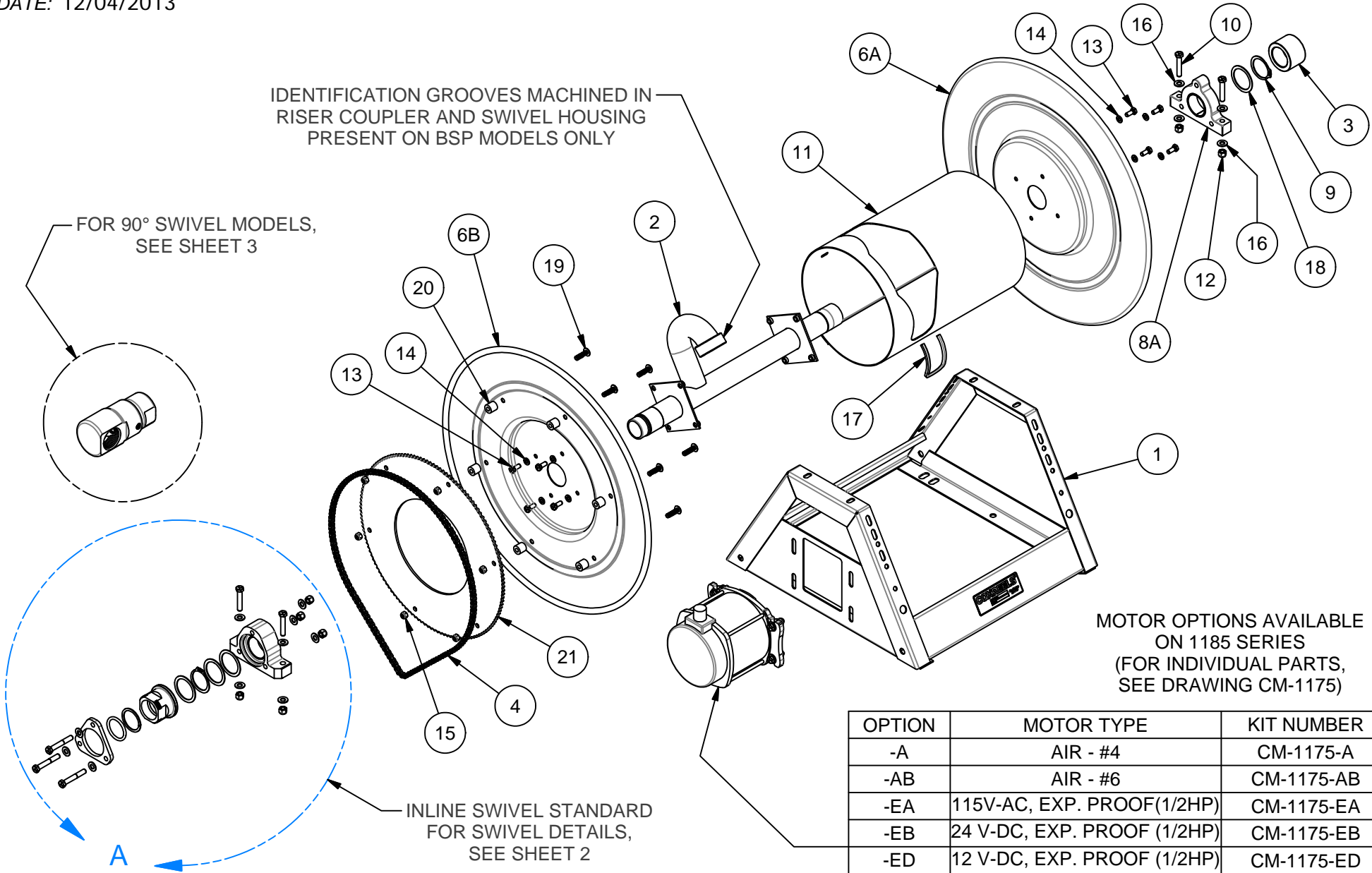
**COXREELS**  
**1185 SERIES - MOTORIZED**

IDENTIFICATION GROOVES MACHINED IN  
 RISER COUPLER AND SWIVEL HOUSING  
 PRESENT ON BSP MODELS ONLY

FOR 90° SWIVEL MODELS,  
 SEE SHEET 3

INLINE SWIVEL STANDARD  
 FOR SWIVEL DETAILS,  
 SEE SHEET 2

FOR BAND BRAKE, KIT #8302, USE OPTION "K"  
 FOR BEVEL GEAR CRANK, KIT #8195, USE OPTION "-C"



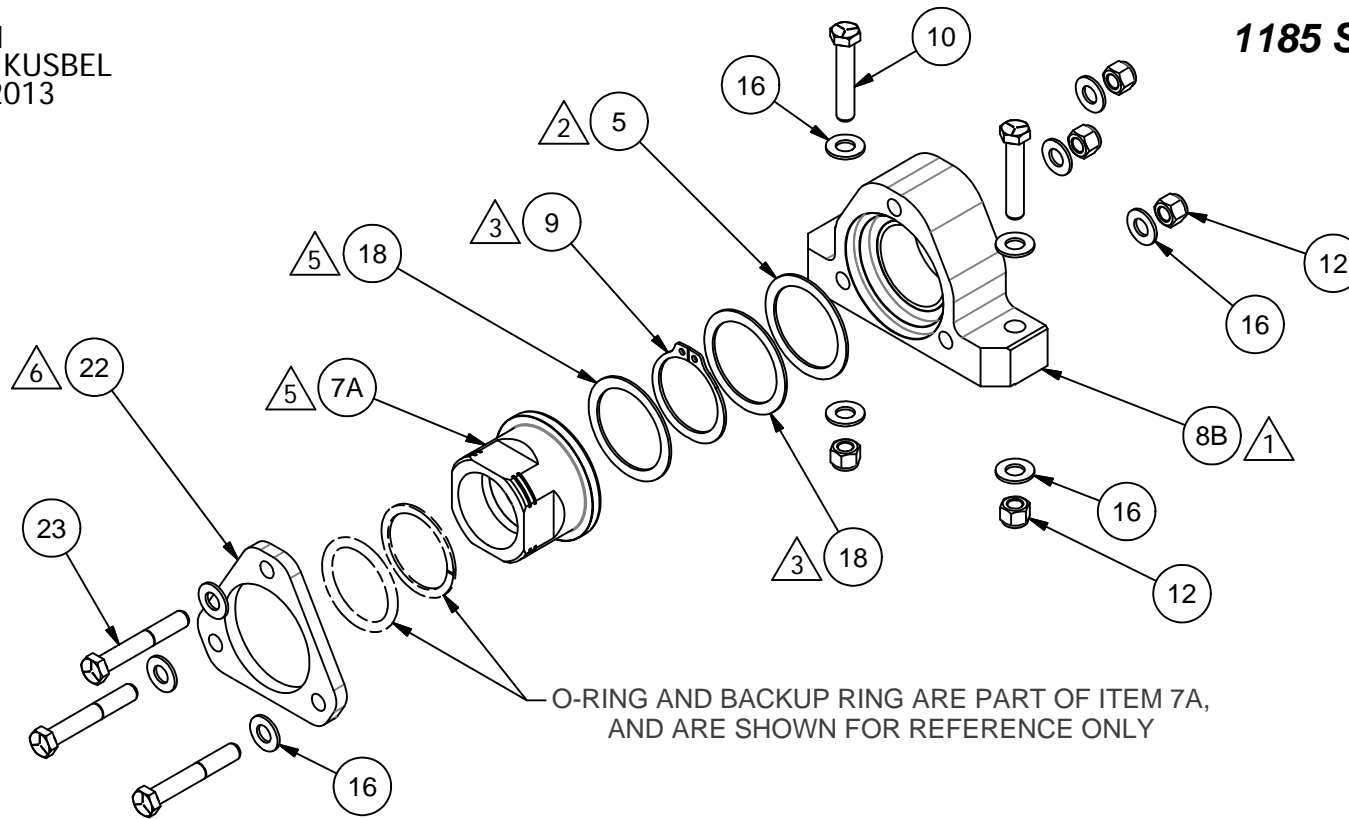
MOTOR OPTIONS AVAILABLE  
 ON 1185 SERIES  
 (FOR INDIVIDUAL PARTS,  
 SEE DRAWING CM-1175)

OPTION	MOTOR TYPE	KIT NUMBER
-A	AIR - #4	CM-1175-A
-AB	AIR - #6	CM-1175-AB
-EA	115V-AC, EXP. PROOF (1/2HP)	CM-1175-EA
-EB	24 V-DC, EXP. PROOF (1/2HP)	CM-1175-EB
-ED	12 V-DC, EXP. PROOF (1/2HP)	CM-1175-ED
-E	12 V-DC (1/3HP)	CM-1175-E
-EF	24 V-DC (1/3HP)	CM-1175-EF
-H	HYDRAULIC	CM-1175-H

**EXP 215** (SHEET 2 OF 3)

REVISION: E  
ECO NO.: 2991  
DRAWN BY: J. KUSBEL  
DATE: 12/04/2013

**COXREELS**  
**1185 SERIES - MOTORIZED**



- 1 INSTALL AND ALIGN BEARING BLOCK ASSEMBLY, ITEM 8B, TO AXLE AND FRAME.
- 2 INSTALL COATED THRUST WASHER, ITEM 5, ONTO AXLE AND UP AGAINST BEARING BLOCK ASSEMBLY.  
NOTE: COATED SIDE OF THRUST WASHER (RED IN COLOR) MUST FACE OUTWARD, AWAY FROM BEARING BLOCK.
- 3 INSTALL BEARING WASHER, ITEM 18, AND RETAINING RING, ITEM 9, ONTO AXLE.  
NOTE: MAKE CERTAIN THAT RETAINING RING IS COMPLETELY SEATED IN AXLE GROOVE.
4. SLIDE AXLE (WITH RETAINING RING AND WASHERS) ALL THE WAY INTO BEARING BLOCK ASSY, ITEM 8B, UNTIL IT "BOTTOMS OUT" IN BEARING BLOCK. MAKE CERTAIN THERE IS A GAP OF 1/16" - 1/8" ON THE OPPOSITE END OF AXLE, BETWEEN THE OPPOSITE BEARING BLOCK ASSEMBLY, ITEM 8A, AND THE OPPOSITE RETAINING RING AND WASHER. SECURE BOTH BEARING BLOCKS TO FRAME.
- 5 INSTALL BEARING WASHER, ITEM 18, ONTO AXLE AND UP AGAINST RETAINING RING. APPLY A LIGHT COATING OF APPROPRIATE SWIVEL LUBRICANT TO SEALING SURFACE OF AXLE. VERIFY THAT SWIVEL HOUSING ASSEMBLY HAS BEEN PROPERLY LUBRICATED, AND SLIDE SWIVEL HOUSING ASSEMBLY, ITEM 7A, ONTO AXLE UNTIL FLANGED END OF SWIVEL HOUSING IS SEATED INTO COUNTER-BORE IN BEARING BLOCK ASSEMBLY.
- 6 INSTALL RETAINING PLATE, ITEM 22, AND MOUNTING HARDWARE ONTO SWIVEL BODY, AND SECURE TO BEARING BLOCK ASSEMBLY.

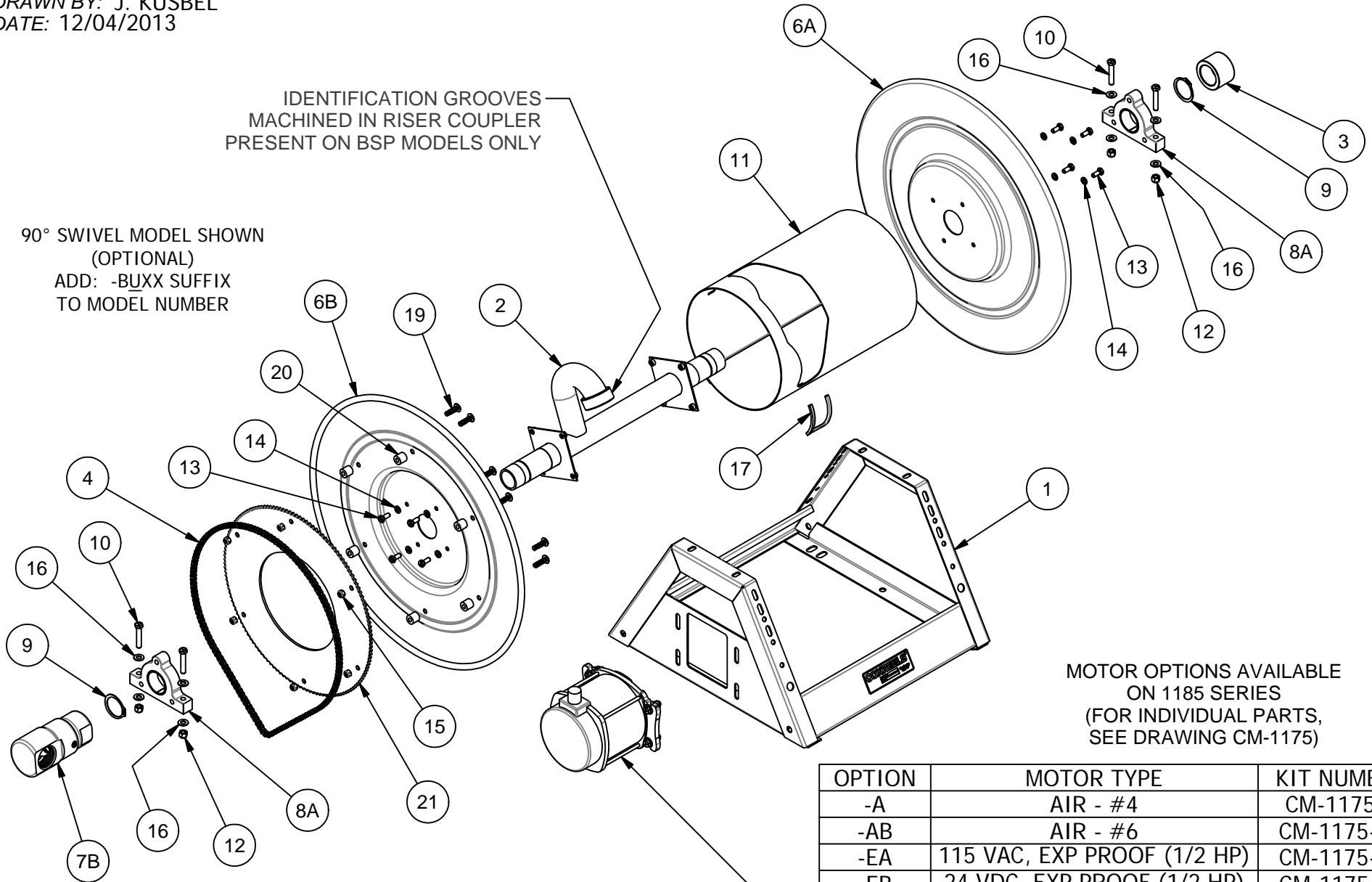
**EXP 215** (SHEET 3 OF 3)

REVISION: E  
 ECO NO.: 2991  
 DRAWN BY: J. KUSBEL  
 DATE: 12/04/2013

**COXREELS**  
**1185 SERIES - MOTORIZED**

IDENTIFICATION GROOVES  
 MACHINED IN RISER COUPLER  
 PRESENT ON BSP MODELS ONLY

90° SWIVEL MODEL SHOWN  
 (OPTIONAL)  
 ADD: -BUXX SUFFIX  
 TO MODEL NUMBER



MOTOR OPTIONS AVAILABLE  
 ON 1185 SERIES  
 (FOR INDIVIDUAL PARTS,  
 SEE DRAWING CM-1175)

OPTION	MOTOR TYPE	KIT NUMBER
-A	AIR - #4	CM-1175-A
-AB	AIR - #6	CM-1175-AB
-EA	115 VAC, EXP PROOF (1/2 HP)	CM-1175-EA
-EB	24 VDC, EXP PROOF (1/2 HP)	CM-1175-EB
-ED	12 VDC, EXP PROOF (1/2 HP)	CM-1175-ED
-E	12 VDC (1/3 HP)	CM-1175-E
-EF	24 VDC (1/3 HP)	CM-1175-EF
-H	HYDRAULIC	CM-1175-H

FOR BAND BRAKE, KIT #8302, USE OPTION "K"  
 FOR BEVEL GEAR CRANK, KIT #8195, USE OPTION "-C"

**COMMON PARTS TO ALL 1185 REELS W/ MOTOR**

ITEM NO.	PART NO.	DESCRIPTION	QUANTITY REQUIRED							
			1185-2020-X	1185-1124-X	1185-1524-X	1185-2024-X	1185-3324-X	1185-2028-X	1185-2528-X	1185-3328-X
1	8143-2020	FRAME, 20"	1							
	8143-1124	FRAME, 24"		1						
	8143-1524	FRAME, 24"			1					
	8143-2024	FRAME, 24"				1				
	8143-3324	FRAME, 24"					1			
	8143-2028	FRAME, 28"						1		
	8143-2528	FRAME, 28"							1	
2	8143-3328	FRAME, 28"								1
	8962-11.5	AXLE ASSY, INLINE *		1						
	8962-15.5	AXLE ASSY, INLINE *			1					
	8962-20	AXLE ASSY, INLINE *	1			1		1		
	8962-25	AXLE ASSY, INLINE *							1	
	8962-33	AXLE ASSY, INLINE *					1			1
	8164-11.5	AXLE ASSY, 90° SWIV **		1						
	8164-15.5	AXLE ASSY, 90° SWIV **			1					
3	8164-20	AXLE ASSY, 90° SWIV **	1			1		1		
	8164-25	AXLE ASSY, 90° SWIV **							1	
4	8164-33	AXLE ASSY, 90° SWIV **					1			1
	7624	PIPE CAP, 1 1/2"	1	1	1	1	1	1	1	1
	20396	CHAIN ASSEMBLY	1							
5	20397	CHAIN ASSEMBLY		1	1	1	1			
	20398	CHAIN ASSEMBLY						1	1	1
	8960-1	WASHER, THRUST *	1	1	1	1	1	1	1	1
6A	7799	DISC, 20"	1							
	7603-1	DISC, 24"		1	1	1	1			
	7627-1	DISC, 28"						1	1	1
6B	7799-1	DISC, 20"	1							
	7603	DISC, 24"		1	1	1	1			
	7627	DISC, 28"						1	1	1
7A	8970	SWIVEL, 1 1/2", INLINE *	1	1	1	1	1	1	1	
7B	20253-1	SWIVEL, 1 1/2", 90° **	1	1	1	1	1	1	1	
8A	8166	BEARING ASSEMBLY ***	1	1	1	1	1	1	1	
8B	8954	BEARING ASSEMBLY *	1	1	1	1	1	1	1	
9	20252	RETAINING RING	2	2	2	2	2	2	2	
10	7696	BOLT, 3/8-16 x 2"	4	4	4	4	4	4	4	4
	7604-1-11.5	DRUM, CENTER		1						
	7604-1-15.5	DRUM, CENTER			1					
	7604-1-20	DRUM, CENTER	1			1		1		
	7604-1-25	DRUM, CENTER							1	
11	7604-1-33	DRUM, CENTER					1			1
	435	LOCKNUT, 3/8" ****	7	7	7	7	7	7	7	7
13	312	BOLT, 5/16-18 x 3/4	8	8	8	8	8	8	8	
14	112	LOCKWASHER, 5/16	8	8	8	8	8	8	8	
15	111	LOCKNUT, 5/16-18	6	6	6	6	6	6	6	
16	157	WASHER, FLAT, 3/8 *****	14	14	14	14	14	14	14	
17	7460-14	TRIM, DRUM EDGE	1	1	1	1	1	1	1	
18	8960	WASHER, BEARING *	3	3	3	3	3	3	3	
19	20668	BOLT, 5/16-18 x 1 1/4	6	6	6	6	6	6	6	
20	16017-1	SPACER	6	6	6	6	6	6	6	
21	20394-1	SPROCKET, 122 TOOTH	1							
	20502-15	SPROCKET, 138 TOOTH		1	1	1	1			
	20500-15	SPROCKET, 180 TOOTH						1	1	1
22	8956	RETAINING PLATE *	1	1	1	1	1	1	1	
23	1985	BOLT, 3/8-16 x 2-1/2" *	3	3	3	3	3	3	3	

- \* INLINE SWIVEL ONLY (STANDARD MODEL)
- \*\* 90° SWIVEL ONLY (OPTIONAL)
- \*\*\* QTY-1 WITH INLINE SWIVEL, QTY-2 WITH 90° SWIVEL
- \*\*\*\* QTY-7 WITH INLINE SWIVEL, QTY-4 WITH 90° SWIVEL
- \*\*\*\*\* QTY-14 WITH INLINE SWIVEL, QTY-8 WITH 90° SWIVEL

REVISION: E DATE: 12/04/2013  
 ECO: 2991 NAME: J. KUSBEL