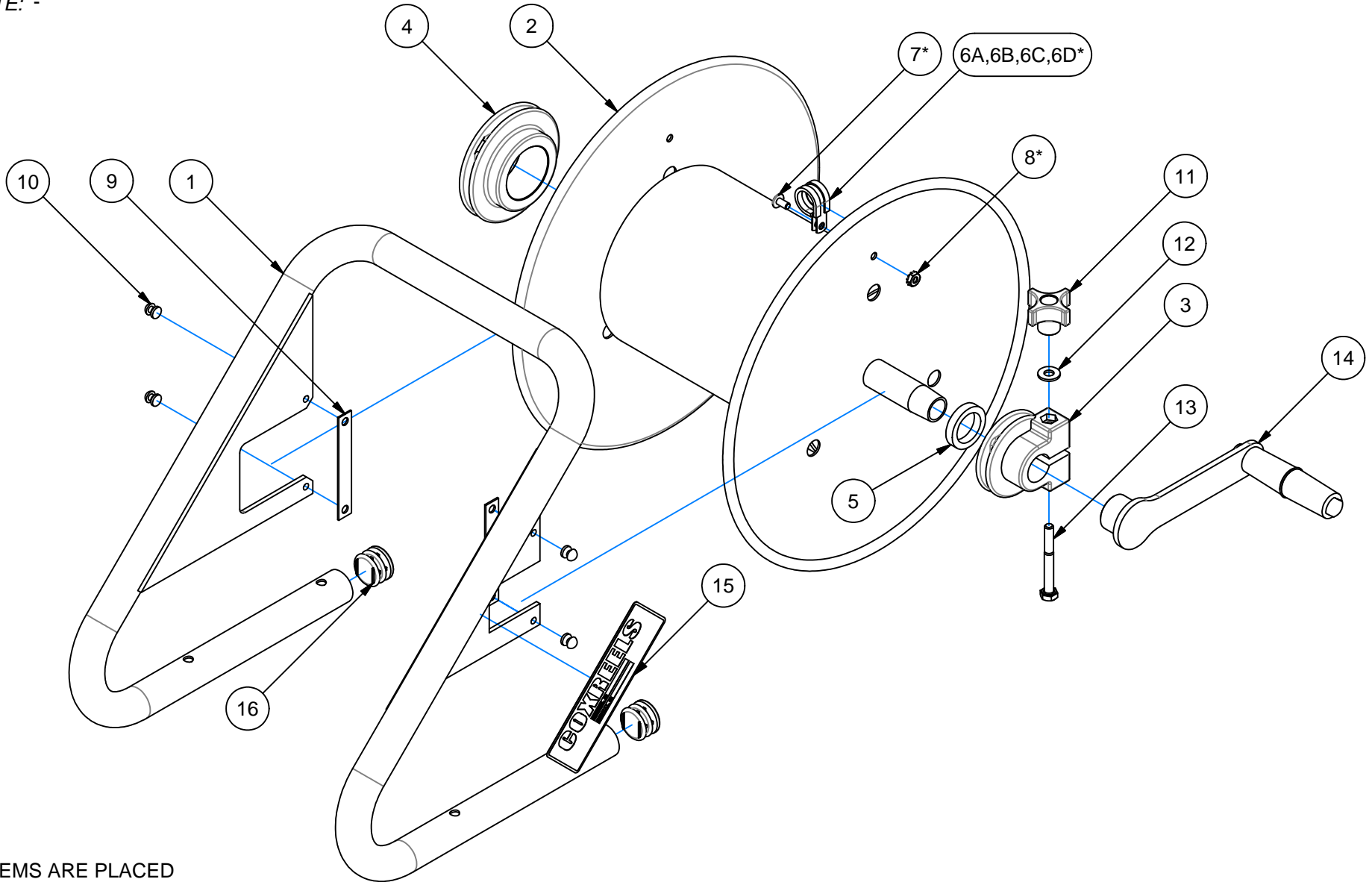


EXP-40Y-CM

REVISION: -
ECO NO.: -
BY: -
DATE: -

COXREELS

SERIES 112Y-CM



* ITEMS ARE PLACED
IN A SEPERATE BAG
AND PLACED IN FINAL
PACKAGING.

DETAIL ITEM NO.	PART NO.	DESCRIPTION	112Y-8-CM	112Y-12-CM
1	7270-1-12-8	FRAME, CHALLENGER CADDY 12"	1	
	7270-1-12-12	FRAME, CHALLENGER CADDY 12"		1
2	8590-4.5	ASSY, DRUM: STORAGE CABLE		
	8590-8	ASSY, DRUM: STORAGE CABLE	1	
	8590-12.5	ASSY, DRUM: STORAGE CABLE		1
3	6329-1-1	BEARING, EPDM, .877" ID, CRANK SIDE	1	1
4	8552	BEARING, EPDM, 1.010" ID, PLUMBING SIDE	1	1
5	7145	SPACER	1	1
6A	7199	CLAMP, CABLE, #7	1	1
6B	7199-1	CLAMP, CABLE, #6	1	1
6C	381	CLAMP, HOSE/CABLE, #10	1	1
6D	383	CLAMP, HOSE, #12	1	1
7	245	SCREW, TRUSS HD, 10-32 X 3/8"	1	1
8	130	NUT, KEPS, 10-32	1	1
9	15711-1	PLATE, KEEPER, BEARING	2	2
10	7105	RIVET, POP, ALUMINUM	4	4
11	15719	KNOB, BLACK, PHENOLIC	1	1
12	688	WASHER, FLAT, 1/4" SAE	1	1
13	7146	BOLT, HEX, 1/4-20 X 2-1/4", GR 5	1	1
14	7272-1	CRANK ARM ASSEMBLY	1	1
15	10925-5	NAMEPLATE, PRODUCT, STD DECAL	1	1
16	7137	PLUG, TUBE END, 1"	2	2

REVISION: - ECO: - DATE: 10/9/2006 NAME: M. LLOYD