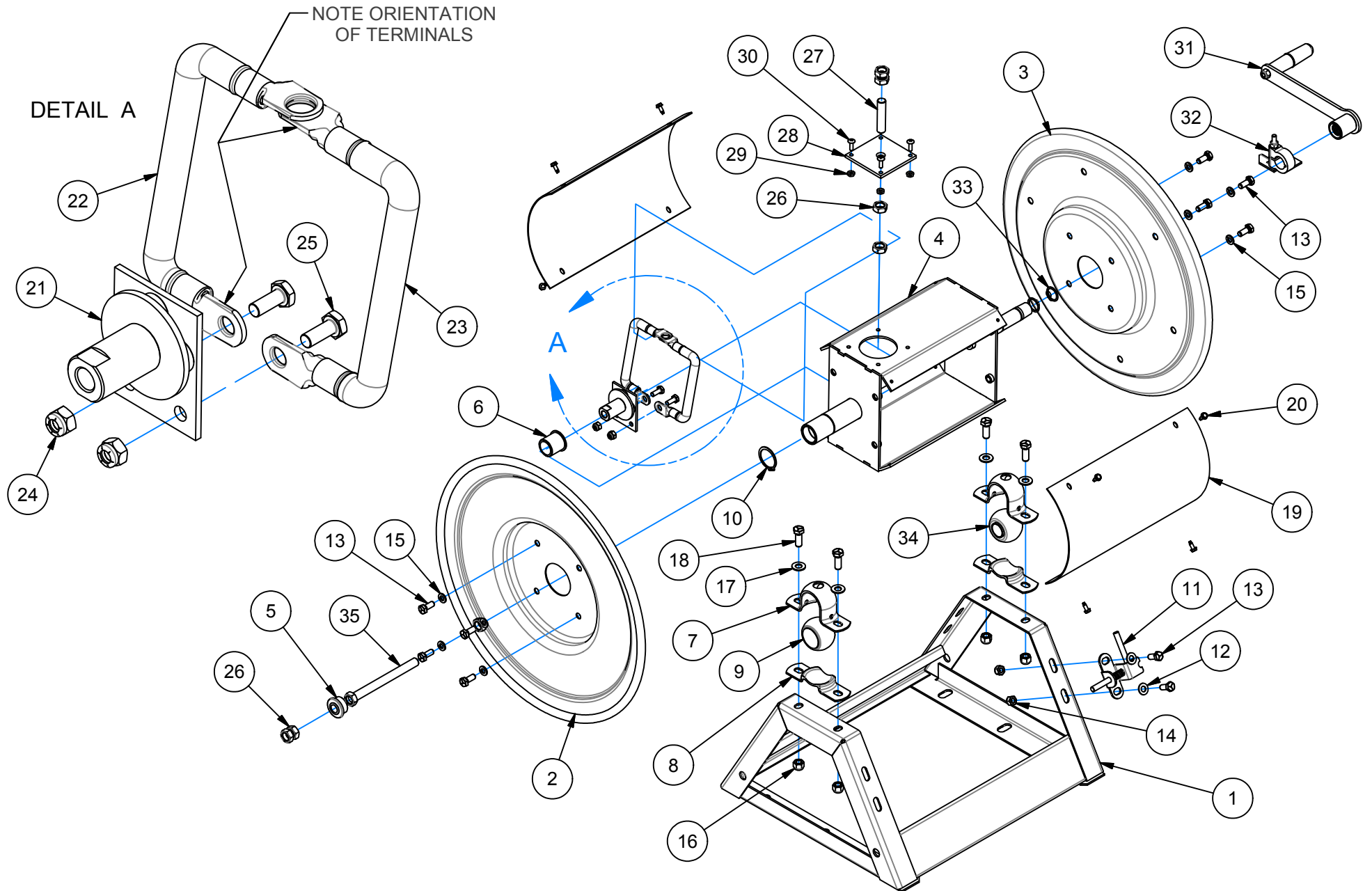


EXP-200

REVISION: B
ECO NO.: 3199-3
BY: JGK
DATE: 7-7-2017

COXREELS SERIES 1125WCL-C



COMMON PARTS TO ALL CABLE REELS (W/ CRANK)

ITEM NO.	PART NO.	DESCRIPTION	QUANTITIES REQUIRED	
			1125WCL-6-C	1125WCL-12-C
1	7455-6	ASSY, FRAME	1	
	7455-12	ASSY, FRAME		1
2	7499	DISC, 17 1/2", 8" DRUM CONNECTOR SIDE	1	1
3	7500	DISC, 17 1/2", 8" DRUM CRANK SIDE	1	1
4	7663-6	ASSY, AXLE, 1"	1	
	7663-12	ASSY, AXLE, 1"		1
5	7671	BEARING	1	1
6	7673	BEARING	1	1
7	20064-T	PILLOW BLOCK MTG, (TOP)	2	2
8	20064-B	PILLOW BLOCK MTG, (BOT)	2	2
9	7507	BEARING	1	1
10	15012	RETAINING RING	1	1
11	20843	ASSY, LOCK PIN	1	1
12	20171	WASHER, FLAT, 5/16"	2	2
13	312	BOLT, 5/16-18 X 3/4" LG.	10	10
14	111	NUT, LOCKING, 5/16-18	2	2
15	112	WASHER, LOCK, 5/16"	8	8
16	435	NUT, LOCKING, 3/8	4	4
17	157	WASHER, FLAT, 3/8"	4	4
18	20016	BOLT, 3/8-16 X 1" LG	4	4
19	7666-6	COVER	2	
	7666-12	COVER		2
20	245	SCREW, 10-32 X 3/8	8	8
21	7678	SLIP RING ASSEMBLY	1	1
22	7665-R	CABLE ASSEMBLY	1	1
23	7665-L	CABLE ASSEMBLY	1	1
24	7676	NUT, BRASS, 1/4-20	2	2
25	7675	BOLT, BRASS, 1/4-20	2	2
26	7674	NUT, BRASS, 1/2-13	8	8
27	7657	STUD, COPPER	1	1
28	7664	PLATE, INSULATOR	1	1
29	130	LOCKNUT, 10-32	4	4
30	6341	SCREW, TRUSS HEAD, 10-32	4	4
31	7419-1	CRANK ASSY, 1/2"	1	1
32	7429-4	BRAKE ASSEMBLY	1	1
33	153	RETAINING RING	2	2
34	20649	BEARING	1	1
35	7656	STUD, COPPER	1	1

REV: A

ECO: --

DATE: 7/22/2014

NAME: J.F. KUSBEL