

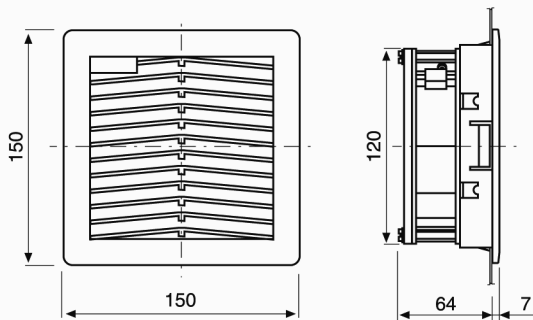
"FPF12K" SERIES FAN FILTERS

Description: **Fan Filter 24/115/230 Va.c.**

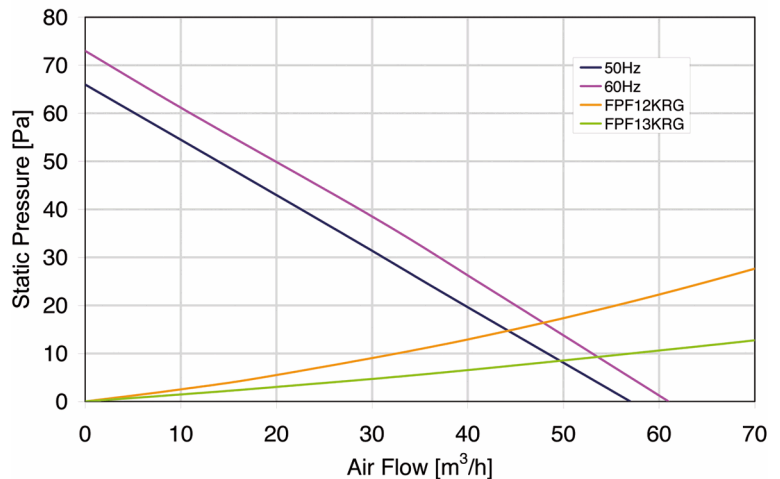
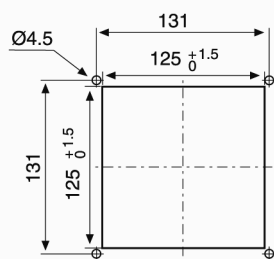


Type of material:	ABS/PC alloy
Standard colour:	RAL 7032 and RAL 7035 - other colors on request
Protection degree:	IP54, according to EN 60529 Std; Nema Type 12, according to UL 508 Std
Fixing system:	by elastic hooks, otherwise by four 4.8 mm self-threading screws
Plate thickness:	from 1.5 mm to 2.2 mm
Storage temperature:	from -45°C to +75°C
Lifetime L10 at 40°C:	45,000 h
Motor protection:	impedance
Electrical connection:	by 2 wires L-N
Earth connection:	(by M4 thread hole on fan's casing)
Appliance class:	class III for 24V, class I for other voltage
Type of filter media:	thermo-linked progressive structure synthetic fibre
Filtering class:	class G3, according to EN 779
Degree of separation:	85% - DIN 24185
Dust retention capacity:	600 g/m ²
Note:	filter media is washable for about 10 times
Weight:	0.8Kg
Approvals:	CE, UL E223195/UL E237844

technical drawing



mounting cut-out



All specifications, data and drawing are subject to change without notice and are approximate. Please refer to our terms of sales including our warranty and limited liabilities clauses.

Model	Voltage	Frequency	Rated Current	Rated Power	Max Air Flow**	Static Pressure	Noise	Rated Temp. Range	Approvals
	(V)	(Hz)	(A)	(W)	(m3/h)	(Pa)	[db(A)]	(°C)	
FPF12KR115BE-110	115 V a.c.	50/60	0.210/0.180	20/18	57/61	66/73	43.0/48.0	-10 ÷ +50	CE; NUR
FPF12KR115BER-110	115 V a.c.	50/60	0.210/0.180	20/18	57/61	66/73	43.0/48.0	-10 ÷ +50	CE; NUR
FPF12KR230BE-110	230 V a.c.	50/60	0.125/0.110	20/19	57/61	66/73	43.0/48.0	-10 ÷ +50	CE; NUR
FPF12KR230BER-110	230 V a.c.	50/60	0.125/0.110	20/19	57/61	66/73	43.0/48.0	-10 ÷ +50	CE; NUR
FPF12KR24BE-110	24 V a.c.	50/60	0.810/0.850	15/16	57/61	66/73	43.0/48.0	-10 ÷ +50	CE
FPF12KR24BER-110	24 V a.c.	50/60	0.810/0.850	15/16	57/61	66/73	43.0/48.0	-10 ÷ +50	CE

data whit uncertainty of 15%