

SAFETY AND PROPER USAGE

To ensure safe and enduring performance of this product, you must comply strictly with the instructions enclosed herein. Non-compliance with instructions or improper handling of the product will void your warranty! Usage of this product in conditions not specified in this manual or in contrary to the instructions hereby provided is considered IMPROPER. The manufacturer will not be held liable for any damages resulting from improper use of the product.

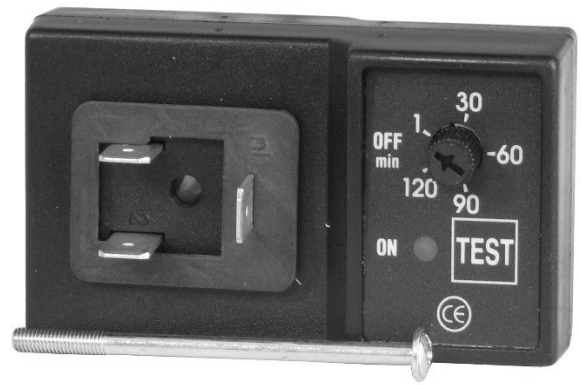
SAFETY & WARNING INSTRUCTIONS

- Observe valid and generally accepted safety rules when planning, installing and using this product.
- Take proper measures to prevent unintentional operation of the product or damage to it.
- Do not attempt to disassemble this product or lines in the system while they are under pressure.
- Always depressurize the compressed air system before working on the system.

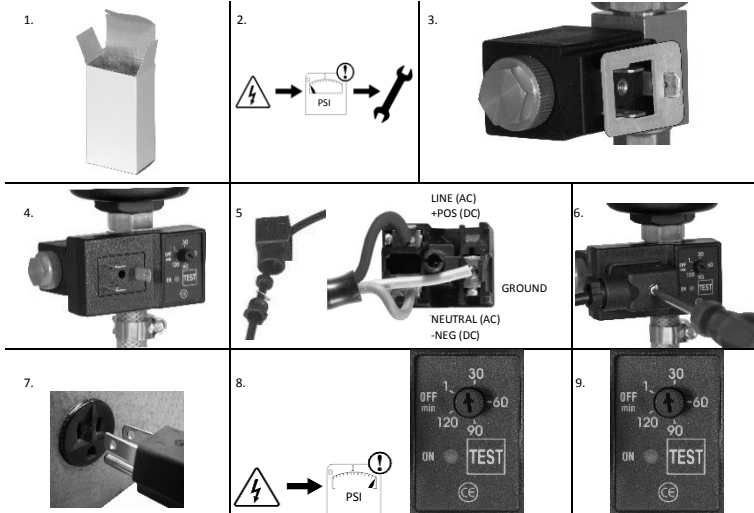
It is important that personnel use safe working practices and observe all regulations and legal requirements for safety when operating this product. When handling, operating or carrying out maintenance on this product, personnel must employ safe engineering practices and observe all local health & safety requirements & regulations. International users refer to regulations that prevail within the country of installation. Most accidents, which occur during the operation and maintenance of machinery, are the result of failure to observe basic safety rules or precautions. An accident can often be avoided by recognizing a situation that is potentially dangerous. Improper operation or maintenance of this product could be dangerous and result in an accident causing injury or death. The manufacturer cannot anticipate every possible circumstance, which may represent a potential hazard. The WARNINGS in this manual cover the most common potential hazards and are therefore not all-inclusive. If the user employs an operating procedure, an item of equipment or a method of working which is not specifically recommended by the manufacturer he must ensure that the product will not be damaged or made unsafe and that there is no risk to persons or property.

NEVER CHANGE ORIGINAL COMPONENTS WITH ALTERNATIVES

⚠ WARNING This product can expose you to chemicals including lead, which is known to the State of California to cause cancer and/or birth defects or other reproductive harm. For more information, go to www.P65Warnings.ca.gov



8000 TEC-11 Timer



INSTALLATION INSTRUCTIONS

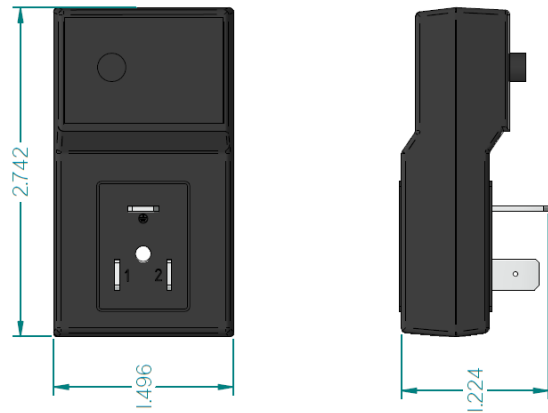
Before installing this product, make sure it complies with your request and that it suits your application!

1. Unpack the unit and visually inspect for any transport damage incurred after leaving our factory.
2. Depressurize the system and shut off the power supply before installation or maintenance is carried out!
3. Remove the gasket and place it over the coil connection pins.
- Make sure there is no debris between the gasket and the coil!
4. Mount the timer on to the coil as illustrated, you can mount the timer up-right or upside-down.
5. Connect your power supply as illustrated.
6. Place the connector gasket on the connector, place the connector on the timer as illustrated and tighten the screw (max. torque 1Nm).
- Make sure both gaskets are secured properly to ensure IP65 rating.
7. After double checking that the power supply corresponds with the voltage specified on the coil and falls within the range specified on the back of the timer, you can switch the power supply ON.
8. Slowly restore normal system pressure. Press the TEST button to check the valve function.
9. You can adjust the OFF cycle time to suit your system.
- Your timer is now ready for operation!

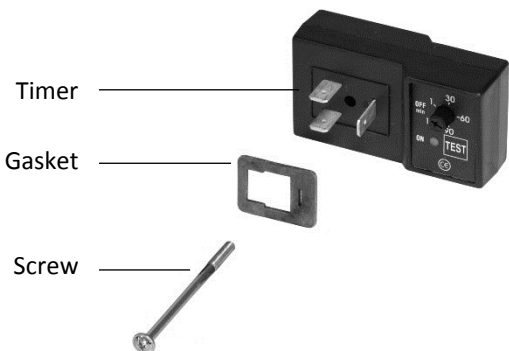
TECHNICAL SPECIFICATIONS

Supply voltage options	10 - 30VAC/DC, 24 - 240VAC/DC, 48 - 380VAC/DC 50/60Hz.	
Ambient temperature	1 - 55 °C	34 - 131 °F
Time cycle range (ON / OFF)	2 seconds (ON) / 1.2 - 120 minutes (OFF)	
PCB manufacturing design	SMT	
Timer cycle indication	LED	
Housing material	ABS plastic FR grade	
Colour	Black	
Test feature	Yes	
Power connection	DIN 43650-B, ISO 6952	
Environmental protection	IP65 (NEMA4)	

DIMENSIONS (inches)



EXPLODED VIEW



REPLACEMENT PARTS

Description	Part No.